

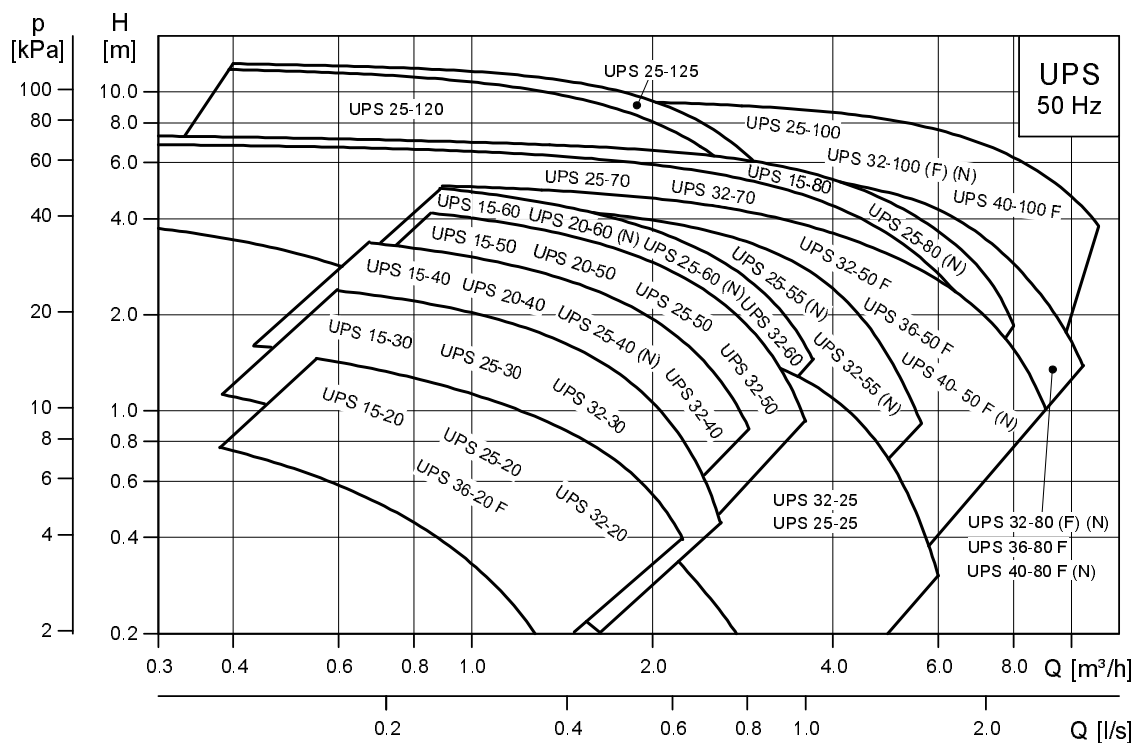
# Series 100

Series 100 circulator pumps  
50/60 Hz

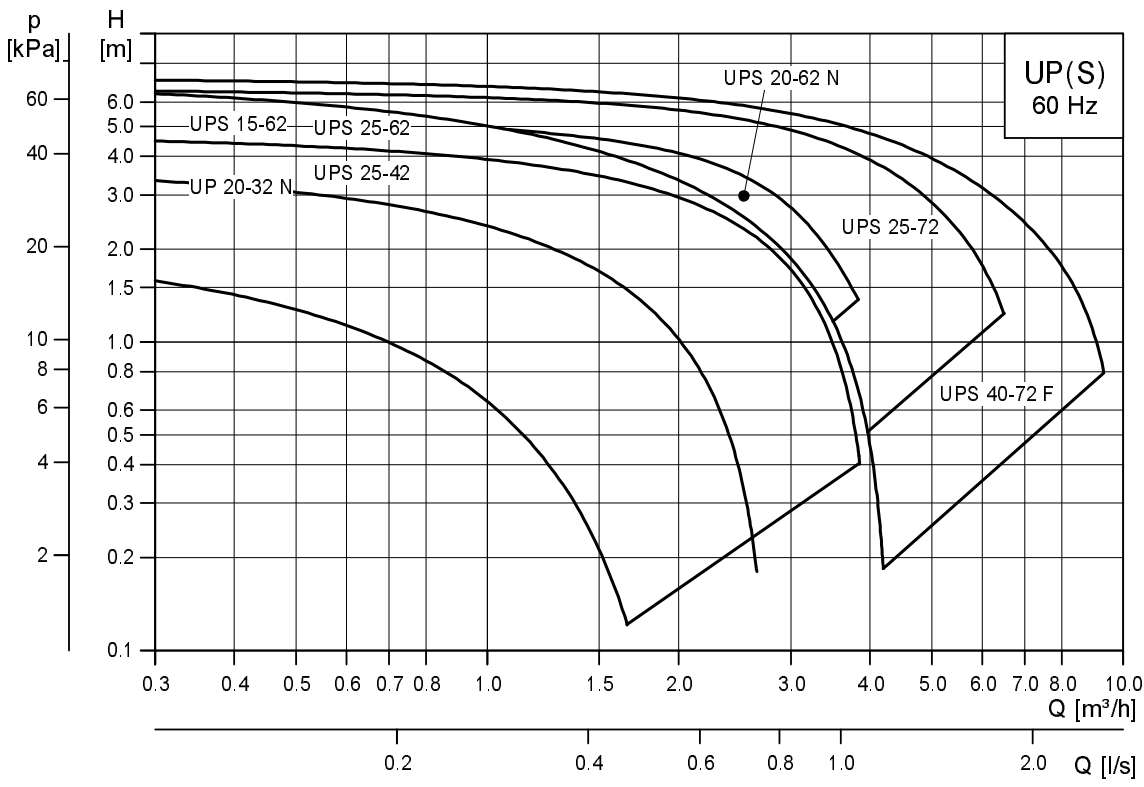


<b>1. Performance range</b>	<b>3</b>
<b>2. Product range</b>	<b>6</b>
Circulator pumps for heating systems	6
Circulator pumps for domestic hot-water systems	7
Circulator pumps for solar-heating systems	8
Circulator pumps for home booster systems	8
<b>3. Type keys</b>	<b>9</b>
<b>4. Applications</b>	<b>10</b>
Heating systems	10
Domestic hot-water systems	10
Cooling and air-conditioning systems	10
Solar-heating systems	11
Home booster systems	11
Pumped liquids	11
Temperatures	11
Maximum system pressure	11
Inlet pressure	11
<b>5. Construction</b>	<b>12</b>
UP, UPA, UPS(D) and SOLAR	12
GRUNDFOS COMFORT (PM)	12
Material specification	13
<b>6. Installation</b>	<b>15</b>
Air separator pump	15
<b>7. Curve conditions</b>	<b>16</b>
Energy labelling	16
<b>8. Performance curves and technical data</b>	<b>17</b>
<b>9. Accessories</b>	<b>50</b>
Pipe connections	50
Alarm module	51
Service kit for ALPHA plug	51
Insulation kits	51
Grundfos controllers	52
Timer and thermostat for COMFORT	52
Fittings for COMFORT	53
<b>10. Further product documentation</b>	<b>54</b>
WebCAPS	54
WinCAPS	55

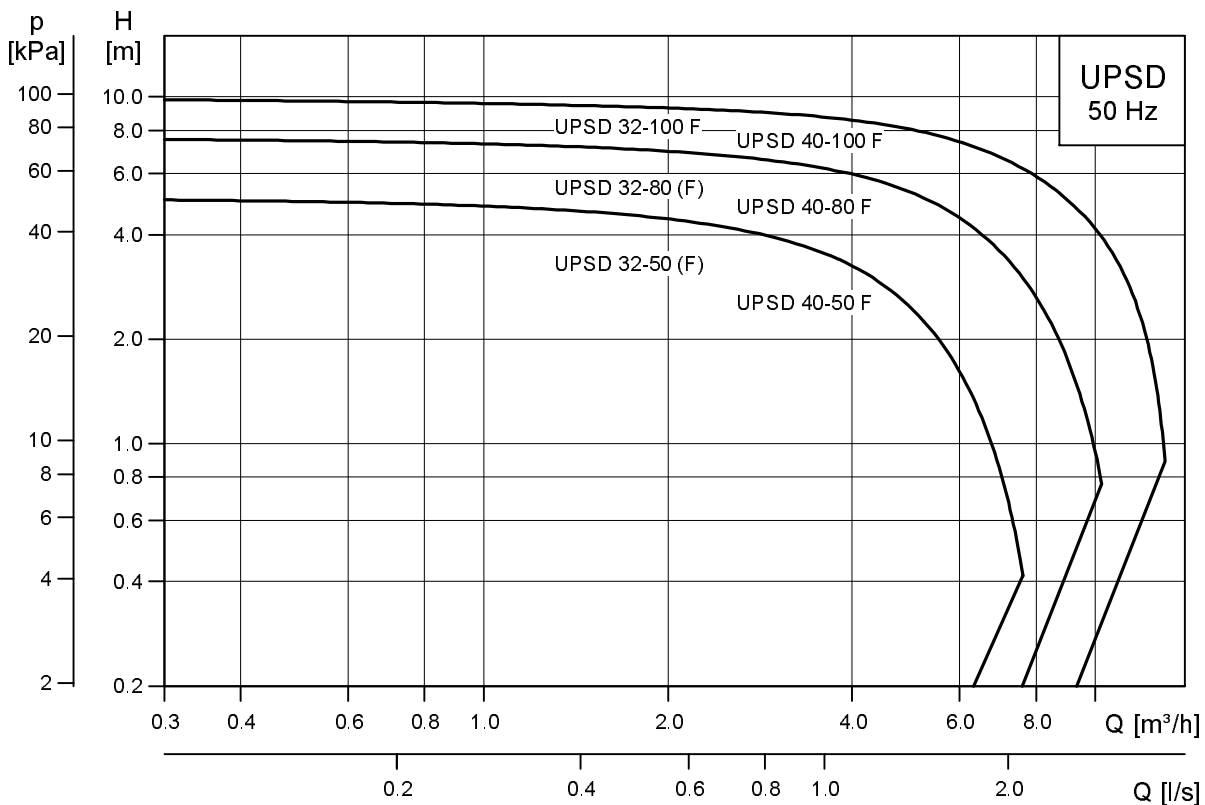
# 1. Performance range



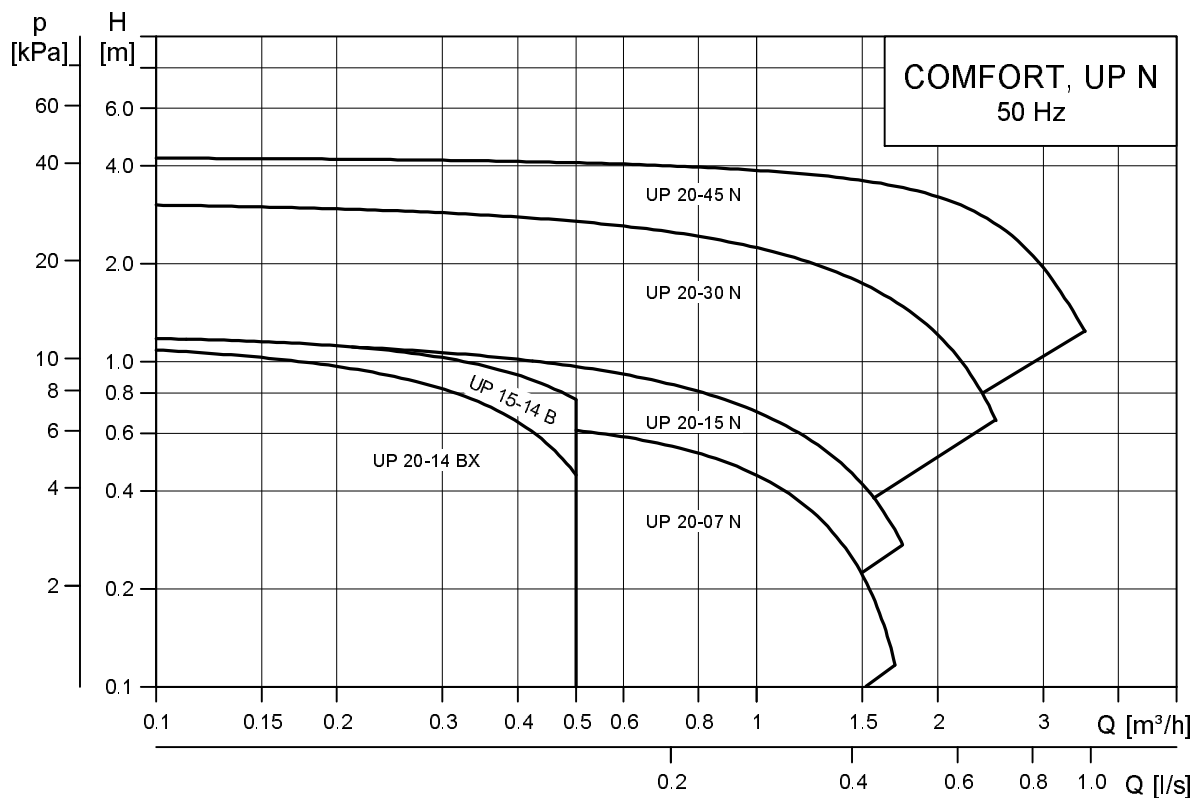
TM00 9602 1709



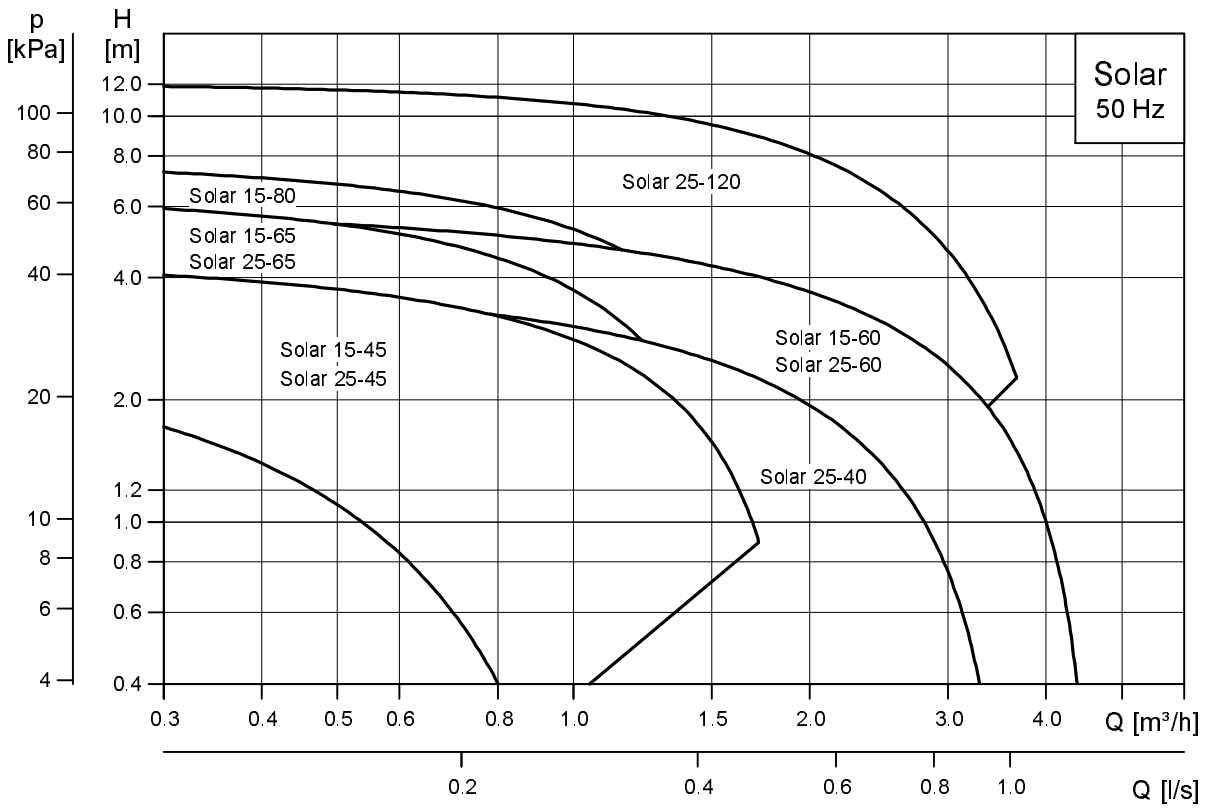
TM04 4621 1809



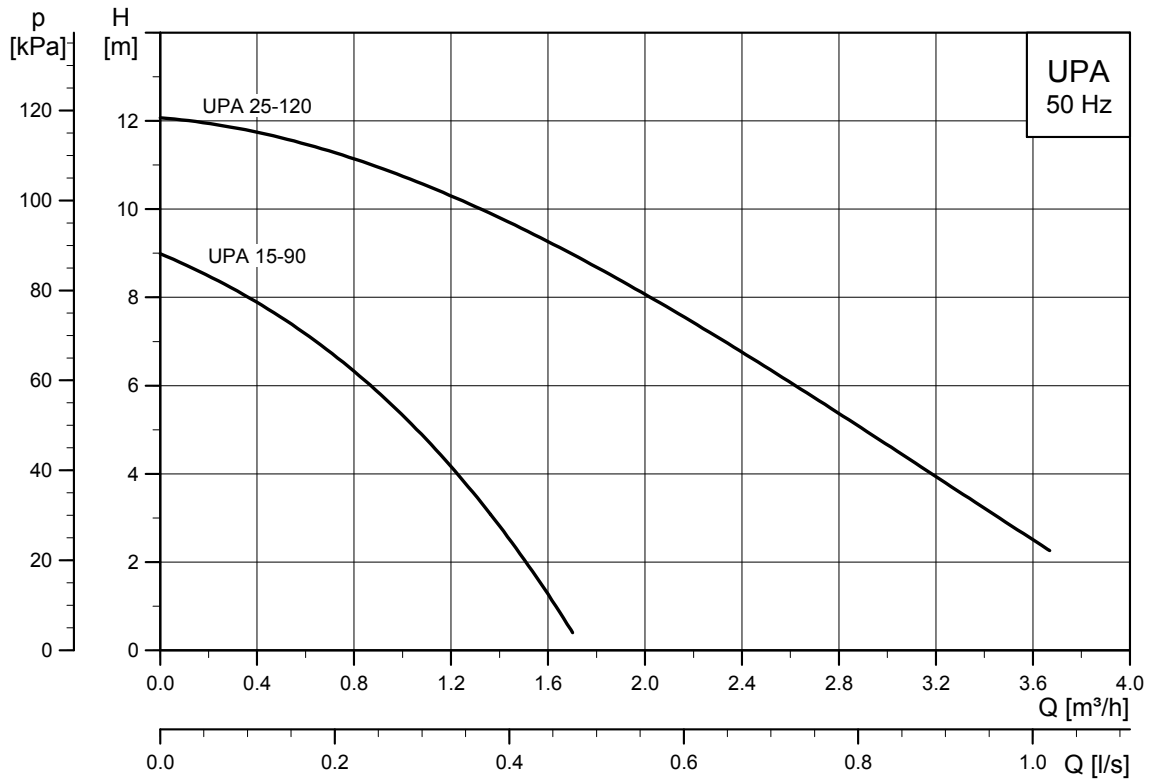
TM04 4619 1809



TM00 9603 1709



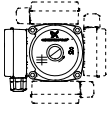
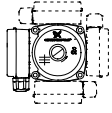

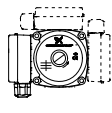
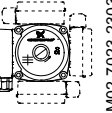
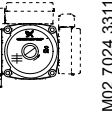
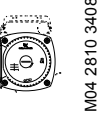
TM04 4620 1809

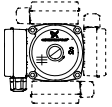
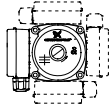

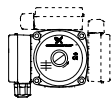
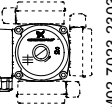
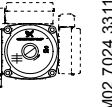
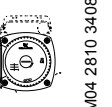


TM04 4621 1809

## 2. Product range

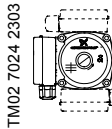
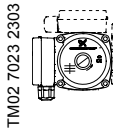
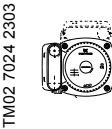


### Circulator pumps for heating systems

Pump material	Cast iron	Cast iron	Cast iron	Cast iron K-version	Stainless steel	Stainless steel	Stainless steel	
Liquid temperature	+2 to +95 °C	+2 to +110 °C	-25 to +110 °C	-25 to +95 °C	+2 to +110 °C	-25 to +95 °C	-25 to +110 °C	
Terminal box position	 TM02 7023 2303	 TM02 7023 2303	 TM04 2810 3408	 TM02 7024 2303	 TM02 7023 2303	 TM02 7024 3311	 TM04 2810 3408	Data sheet Page
<b>UPS, UP, 1 x 230 V, 50 Hz</b>								
UPS 15-20		•						17
UPS 25-20 ★		•						17
UPS 32-20		•						17
UPS 36-20			•					17
UPS 25-25			•					18
UPS 32-25			•					18
UPS 15-30		•						19
UPS 25-30 ★		•						19
UPS 32-30		•						19
UPS 15-40		•						19
UPS 20-40		•		•				19
UPS 25-40 ★		•		•	•			19
UPS 32-40		•						19
UPS 15-50		•						20
UPS 20-50		•						20
UPS 25-50		•		•				20
UPS 32-50		•						20
UPS 32-50			•					20
UPS 36-50			•					21
UPS 40-50			•				•	20
UPS 25-55			•				•	21
UPS 32-55			•				•	22
UPS 15-60		•						22
UPS 20-60		•						22
UPS 21-40		•						23
UPS 21-50		•						23
UPS 21-60		•		•				24
UPS 25-60 ★		•		•	•			24
UPS 32-60		•						25
UPS 25-70		•						25
UPS 32-70		•						25
UPS 25-80			•				•	26
UPS 32-80			•				•	27
UPS 36-80			•					28
UPS 40-80			•				•	27
UPS 25-100			•					28
UPS 32-100			•				•	29
UPS 40-100			•					29
UPS 25-120	•							29
UPS 25-125	•							30
<b>UPS, UP, 3 x 230 V, 50 Hz</b>								
UPS 25-50		•						30
<b>UPS, UP, 3 x 400 V, 50 Hz</b>								
UPS 25-20		•						31
UPS 32-20		•						31
UPS 25-40		•						31
UPS 32-40		•						31
UPS 25-50		•						32
UPS 32-50		•						32

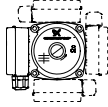
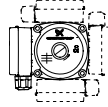
Pump material	Cast iron	Cast iron	Cast iron	Cast iron K-version	Stainless steel	Stainless steel	Stainless steel	
Liquid temperature	+2 to +95 °C	+2 to +110 °C	-25 to +110 °C	-25 to +95 °C	+2 to +110 °C	-25 to +95 °C	-25 to +110 °C	
Terminal box position	 TM02 7023 2303	 TM02 7023 2303	 TM04 2810 3408	 TM02 7024 2303	 TM02 7023 2303	 TM02 7024 3311	 TM04 2810 3408	Data sheet Page
UPS 25-60		•			•			32
UPS 32-60		•						32
<b>UPS, UP, 1 x 220 V, 60 Hz</b>								
UPS 15-62		•						33
UPS 25-42		•						33
UPS 25-62		•		•				34
UPS 25-72		•						34
UPS 40-72			•					35
<b>UPSD twin-head pumps, 1 x 230 V, 50 Hz</b>								
UPSD 32-50			•					35
UPSD 40-50			•					36
UPSD 32-80			•					36
UPSD 40-80			•					37
UPSD 32-100			•					37
UPSD 40-100			•					37

★ On request: Pump housing with air separator, type A.

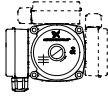
## Circulator pumps for domestic hot-water systems

Pump material	Stainless steel	Stainless steel	Stainless steel	Brass		
Liquid temperature	+2 to +110 °C	-25 to +95 °C	-25 to +110 °C	+2 to +95 °C		
Terminal box position	 TM02 7024 2303	 TM02 7023 2303	 TM02 7024 2303	 TM04 2810 3408	 TM02 7022 2303	Data sheet Page
<b>UPA, UPS, UP, 1 x 230 V, 50 Hz</b>						
COMFORT UP 15-14 B				•		38
COMFORT UP 15-14 B PM				•		39
COMFORT UP 20-14 BX				•		38
COMFORT UP 20-14 BX PM				•		39
UP 20-07	•					40
UP 20-15	•					40
UP 20-30	•	•				41
UP 20-45				•		41
UPS 20-60	•			•		42
<b>UPS, UP, 1 x 240 V, 50 Hz</b>						
UP 20-30	•					42
UPS 20-60	•					43
<b>UPS, UP, 3 x 220 V, 50 Hz</b>						
UP 20-30	•					43
<b>UPS, UP, 3 x 400 V, 50 Hz</b>						
UP 20-15 N	•					44
UP 20-30 N	•					44
<b>UPS, UP, 1 x 220 V, 60 Hz</b>						
UP 20-32	•					45
UPS 20-62	•					45

## Circulator pumps for solar-heating systems

Pump material	Cast iron	Cast iron	
Liquid temperature	+2 to +95 °C	+2 to +110 °C	
Terminal box position			<b>Data sheet Page</b>
	TM02 7023 2303	TM02 7023 2303	
<b>SOLAR, 1 x 230 V, 50 Hz</b>			
SOLAR 25-40		•	46
SOLAR 15-45		•	46
SOLAR 25-45		•	46
SOLAR 15-60		•	47
SOLAR 25-60		•	47
SOLAR 15-65		•	47
SOLAR 25-65		•	47
SOLAR 15-80	•		48
SOLAR 25-120	•		48

## Circulator pumps for home booster systems

Pump material	Cast iron	
Liquid temperature	+2 to +95 °C	
Terminal box position		<b>Data sheet Page</b>
	TM02 7024 2303	
<b>UPA, 1 x 230 V, 50 Hz</b>		
UPA 15-90	•	49
UPA 25-120	•	49



### 3. Type keys

#### UP, UPA, UPS, UPSD

Example	UP	A	S	D	40	-50	F
Type range							
A = automatic control							
S = electric speed control							
Twin-head pump							
Nominal diameter (DN) of suction and discharge ports [mm]							
Maximum head [dm]							
Pipe connection: = pipe thread (no letter) F = flange							
Pump housing: = cast iron (no letter) N = stainless steel A = pump housing with air separator, upward water flow K = cold-water version KU = cold-water version (foam-filled terminal box and stator)							

#### GRUNDFOS COMFORT (PM)

Example	UP	20	-14	B	X	U	T	A
Type range								
Nominal diameter (DN) of suction and discharge ports [mm]								
Maximum head [dm]								
Brass pump housing								
Integrated isolating and non-return valves								
24-hour timer								
Thermostat								
AUTO <sub>ADAPT</sub>								

PM = Permanent-Magnet motor

#### UPS SOLAR

Example	UPS SOLAR	15	-65	130
Type range				
Nominal diameter (DN) of suction and discharge ports [mm]				
Maximum head [dm]				
Port-to-port length [mm]				

## 4. Applications

The Grundfos circulator pumps, Series 100, are specifically designed for heating systems. The pumps are also suitable for circulation of domestic hot water and for circulation of liquid in cooling and air-conditioning systems.

UPS SOLAR pumps are suitable for circulation of water in residential solar thermal heating systems.

### Heating systems

For central and district heating systems, use pump type UPS.

The UPS can be operated at three different speeds.

The pumps are used primarily for one- and two-pipe heating systems, but are, for example, also suitable for mixing loops in large systems.

For underfloor heating systems, we recommend the pump type UP(S) N, as the pumped liquid may often become aerated, causing an ordinary cast-iron pump housing to corrode.

### Domestic hot-water systems

For circulation in domestic hot-water systems, use pump type GRUNDFOS COMFORT or UP N with stainless-steel, brass or bronze pump housing.

The UP N can be connected to an on/off time switch to save energy. The on/off time switch can switch the pump on/off to limit pump operation to periods when hot water is usually required.

GRUNDFOS COMFORT is available with integrated timer, thermostat and AUTO<sub>ADAPT</sub> function.

#### GRUNDFOS COMFORT AUTO versions (BA/BXA)

The built-in AUTO<sub>ADAPT</sub> function adapts the operating hours of the pump according to the changing demand for domestic hot water. This means that the COMFORT AUTO provides the maximum comfort and saves energy at the same time.

We recommend to keep the operating temperature lower than 65 °C to eliminate the risk of lime precipitation.

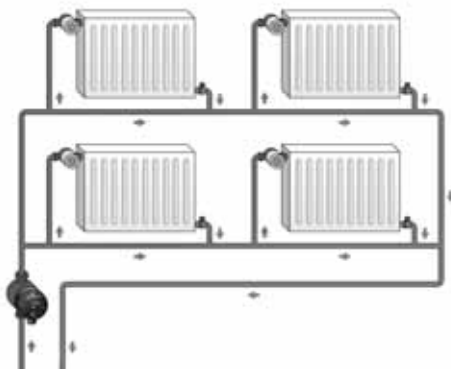


Fig. 1 One-pipe heating system

TM03 8990 4507

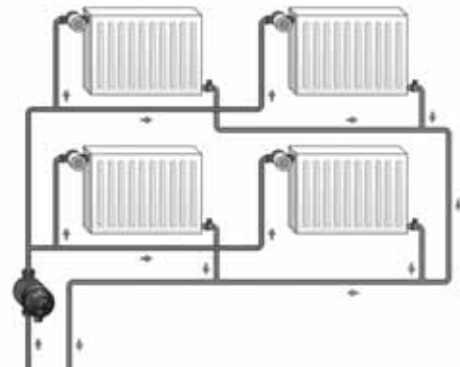


Fig. 2 Two-pipe heating system

TM03 8989 4507

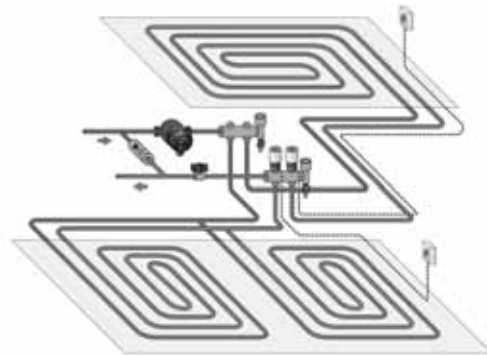


Fig. 3 Underfloor heating system

TM03 9890 4507

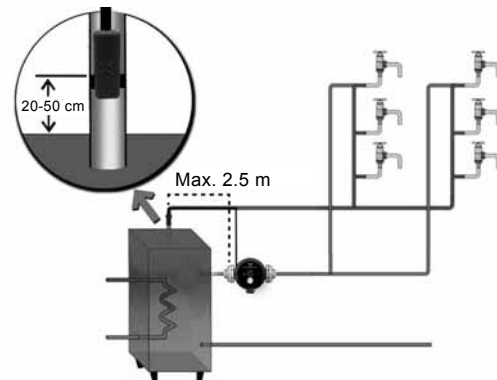


Fig. 4 Domestic hot-water system

TM04 9359 4010

### Cooling and air-conditioning systems

For cooling and air-conditioning systems, use standard UPS pumps or the special version, type UPS K, depending on type and size.

See product ranges on pages 6 to 8.

Temperature ranges: -25 °C to +95 °C  
-25 °C to +110 °C.

These pumps are thus suitable for circulation of both cold and hot water.

## Solar-heating systems

For circulation in solar-heating systems, use UPS SOLAR pumps. Solar-heating systems often operate with very low flows compared to other heating systems, and the pump must be designed to handle the following:

- water with anti-freeze
- high liquid temperatures
- large temperature fluctuations.

The UPS SOLAR is optimised for operation specifically under these conditions. During start-up at low outside temperatures, the stagnant water in the pipes may be very cold and may create condensed water in the stator. Therefore, the UPS SOLAR windings are double-coated, the stator housing has drain holes, and the pump housing is electro-coated. Very high liquid temperatures may also occur, for example if the tank is heated to maximum and the sun still shines. The UPS SOLAR can work with temperatures up to 140 °C for a short time.

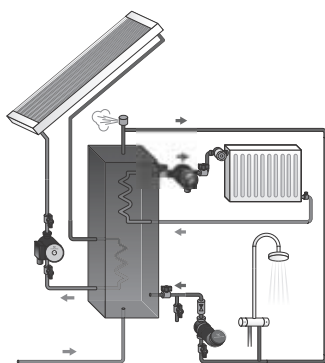


Fig. 5 Solar-heating system

TM04 4623 1809

## Home booster systems

For pressure-boosting of domestic hot water in residential buildings supplied from an external source, use UPA pumps.

The pump increases the pressure so that the required pressure is available at showers, taps and similar tapping points.

The UPA is used in open systems and can also be connected directly to the water main.

The pump incorporates a flow switch which starts and stops the pump when a tap is opened and closed, respectively.

## Pumped liquids

Depending on type, Grundfos circulator pumps are suitable for the following liquids:

- clean, thin, non-aggressive and non-explosive liquids without solid particles or fibres
- cooling liquids, not containing mineral oil
- domestic hot water, max. 14 °dH, max. 65 °C, peak max. 70 °C.
- softened water.

The kinematic viscosity of water is  $\nu = 1 \text{ mm}^2/\text{s}$  (1 cSt) at 20 °C. If the circulator pump is used for a liquid with a higher viscosity, the hydraulic performance of the pump will be reduced.

**Example:** 50 % glycol at 20 °C means a viscosity of approx. 10 mm<sup>2</sup>/s (10 cSt) and a reduction of pump performance by approx. 15 %.

No additives that in anyway can/will disturb the functionality of the pump.

When selecting a pump, the viscosity of the pumped liquid must be taken into consideration.

## Temperatures

### Liquid temperature

Liquid temperatures, see tables on pages 6 to 8.

### Ambient and liquid temperatures

The ambient temperature for standard pumps with a permissible minimum liquid temperature of +2 °C should always be lower than the liquid temperature, as otherwise condensation may form in the stator housing.

## Maximum system pressure

Pump with unions (PN 10): 1.0 MPa (10 bar).

Flanged pump (PN 6/10): 0.6/1.0 MPa (6/10 bar).

Pump with Grundfos flanges: 1.0 MPa (10 bar).

## Inlet pressure

To avoid cavitation noise and damage to the pump bearings, the following minimum pressures are required at the pump suction port.

Liquid temperature	85 °C	90 °C	110 °C
Inlet pressure	0.5 m head 0.049 bar	2.8 m head 0.27 bar	11.0 m head 1.08 bar

## 5. Construction

### UP, UPA, UPS(D) and SOLAR

The UP, UPA, UPS(D) and SOLAR pumps are of the canned-rotor type, i.e. pump and motor form an integral unit without shaft seal and with only two gaskets for sealing. The bearings are lubricated by the pumped liquid.

The pumps are characterised by the following:

- ceramic shaft and radial bearing
- carbon thrust bearing
- stainless-steel rotor can and bearing plate
- impeller of corrosion-resistant material
- pump housing of cast iron or stainless steel.

The UPS SOLAR pumps are furthermore characterised by the following:

- glycol-resistant components
- pump housing of electro-coated cast iron.

#### Motor

The motor is a 2- or 4-pole, asynchronous, squirrel-cage motor in conformity with the EMC directive.

Standards used: EN 61000-6-2 and EN 61000-6-3.

The terminal box is easily accessible and has functional cable connecting terminals. The cable entry is tight and incorporates cable relief.

The terminal box and the motor-pump unit have been wet-tested according to the Low Voltage Directive.

Standards used: EN 60335-1 and EN 60335-2-51.

The cable entry of single-phase motors can be pushed out of its guide to facilitate the correct fitting of the cable.

Insulation class: F/H.

Cable connection: Pg 11 for 5.6 to 10 mm cable.

The motor incorporates thermal overload or impedance protection. Therefore, no external motor protection is required.

### GRUNDFOS COMFORT (PM)

GRUNDFOS COMFORT (PM) circulator pumps come with various pump housing versions and lengths incorporating isolating and non-return valves or prepared for subsequent fitting of such valves.

The motor can be separated from the pump housing, enabling easy maintenance and replacement.

The rotor bearing is self-adjusting and lubricated by the pumped liquid.

The pumps have the following characteristics:

- Parts in contact with the pumped liquid are hermetically separated from the stator with a stainless-steel spherical separator.
- The bearing has no play, and as it has only a single bearing point, it generates very low friction, resulting in reduced power input and noise.

#### Motor

The terminal box is easily accessible and has functional cable connecting terminals. The cable entry is tight and incorporates cable relief.

The terminal box and the motor-pump unit have been wet-tested according to the Low Voltage Directive.

Standards used: EN 60335-1 and EN 60335-2-51.

The motor is impedance-protected and consequently short-circuit-proof. No additional motor protection is required.

#### COMFORT PM, high-efficiency pump

The motor is a single-phase, 2-pole, hysteresis, permanent-magnet motor in conformity with the EMC directive.

The permanent-magnet motor has no rotating bearing shaft. A green indicator light on the motor is on when the motor is running.

#### COMFORT, low-efficiency pump

This version has a spherical motor. In contrast to conventional canned-rotor motors, the spherical motor has no rotating bearing shaft. The stator transfers the magnetic field to the rotor in the water-conducting part of the pump.

## Material specification

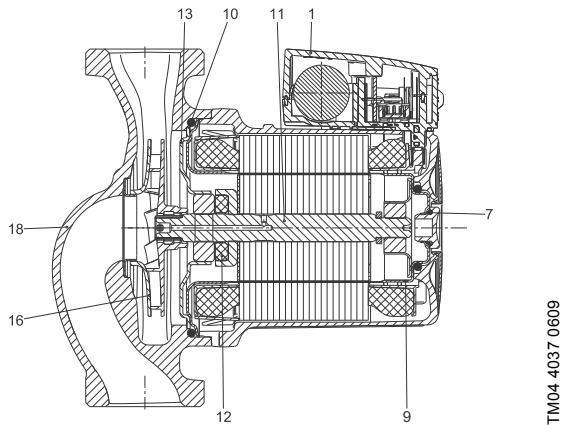


Fig. 6 UP, UPA, UPS and SOLAR

Pos.	Component	Material	EN	AISI/ASTM
1	Terminal box	Composite PPE/PS		
7, 10	Gaskets	EPDM rubber		
9	Rotor can	Stainless steel	1.4301 1.4521	304 444
	Radial bearing	Ceramic		
11	Shaft complete	Stainless steel for UPS xx-100	1.4404	316L
	Thrust bearing	Carbon		
12	Thrust bearing retainer	EPDM rubber		
13	Bearing plate	Stainless steel	1.4301	304
16	Impeller	Composite PES/PP 30 % GF		
18	Pump housing <sup>1)</sup>	Cast iron	EN-JL1020 EN-JL1030	A48-25B A48-30B
		Stainless steel	1.4301	304
			1.4308	CF8

<sup>1)</sup> SOLAR, electro-coated cast iron

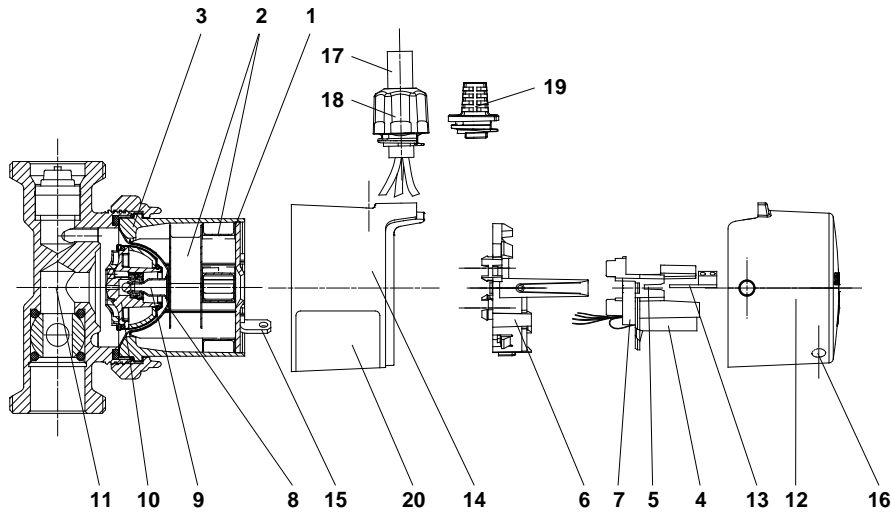


Fig. 7 Sectional drawing of the COMFORT pump, except COMFORT PM

TM01 8532 1602

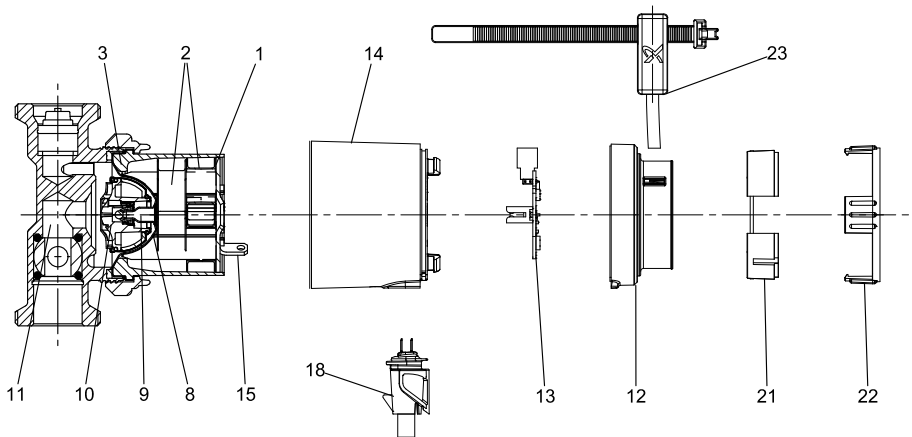


Fig. 8 Sectional drawing of the COMFORT PM pump

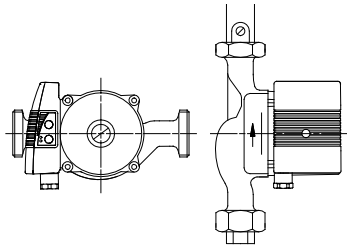
TM05 1937 3911

Pos.	Component	Material	EN	AISI
1	Stator lamination	Steel		
2	Stator windings	Copper wire and enamel		
3	Stator housing	Aluminium/P66		
4	Capacitor	Metallised PP film		
5	Contact for pc board	Tin-plated brass		
6	Retainer for pc board, lower	PA66/6		
7	Retainer for pc board, upper	PA66/6		
8	Spherical separator	Stainless steel	1.4016	430
9	Rotor can complete	Stainless steel/tungsten carbide	1.4571	316 Ti
10	Rotor, impeller	Stainless steel, EPDM, PPO, PFTE, graphite		
11	Pump housing	Brass MS 58		
12	Terminal box cover	PC/ABS		
13	Pc board with diode	FR 4		
14	Motor cover	PPO		
15	Screw	Stainless steel	1.4301	304
16	Light	Lexan		
17	Cable	PVC		
18	Plug/Alpha plug (BA/BXA)	PA66		
19	Insulation cover	EPP 55		
20	Nameplate	PET 50		
21	Cable ring 1	PC/ABS		
22	Cable ring 2	PC/ABS		
23	Temperature sensor			

## 6. Installation

The pump must always be installed with horizontal motor shaft. At start-up, the rotor can be vented by removing the plug in the top of the motor.

Within a short time, the rotor forces the remaining air out into the system via the shaft.



TM00 0361 5196

Fig. 9 Pumps with horizontal motor shaft

### Air separator pump

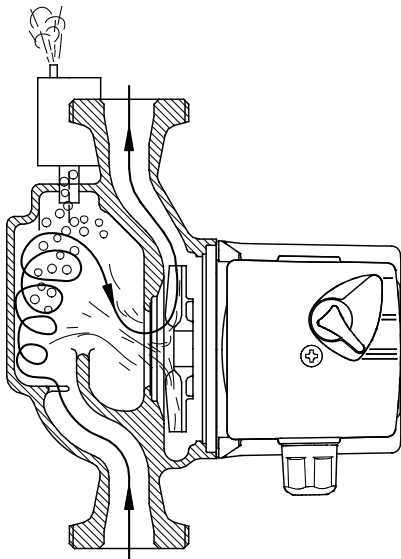
Grundfos Airlectric is a combined circulator pump and air separator. The air separator removes air from the centre of the system and thus offers optimum operating conditions for any automatic air vent, without extra installation cost.

The air-containing liquid is guided from the suction port to the nozzle of the air-separating chamber. In the nozzle, the liquid is caused to circulate considerably in the relatively large chamber, thus creating a low pressure in the top of the chamber. This low pressure combined with the now reduced low velocity of the liquid will cause a separation of air from the liquid.

Due to its lower density, the air will escape through an automatic air vent fitted to the air-separating chamber.

The air separator pump is available only for upward water flow.

The pump housing has an Rp 3/8 thread for the air vent. The air vent is not supplied with the pump.



TM00 8966 4296

Fig. 10 Air separator pump

## 7. Curve conditions

The guidelines below apply to the performance curves on the following pages:

- Test liquid: airless water.
- The measurements for UP, UPA and UPS have been made at a water temperature of 20 °C.
- All curves show average values and **should not be used as guarantee curves**. If a specific minimum performance is required, individual measurements must be made.
- The UP and UPS curves apply to a kinematic viscosity of  $\nu = 1 \text{ mm}^2/\text{s}$  (1 cSt).
- The conversion between head  $H$  [m] and pressure  $p$  [kPa] has been made for water with a density of  $\rho = 1000 \text{ kg/m}^3$ . For liquids with other densities, for example hot water, the discharge pressure is proportional to the density.

## Energy labelling

Grundfos circulator pumps, except GRUNDFOS COMFORT, UP N and UPS SOLAR pumps, are provided with the energy label.

The energy label indicates the energy-saving level of the pump. The energy classification system has seven levels, i.e. from A to G. Level A is the best.

The energy label can be used to compare pumps of the same type and size.

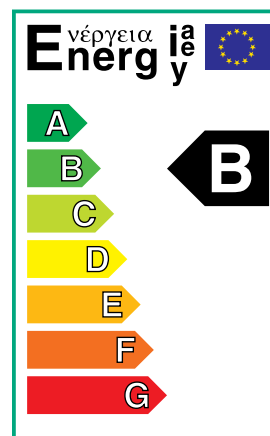


Fig. 11 Energy label, B-labelled UPS 15-40

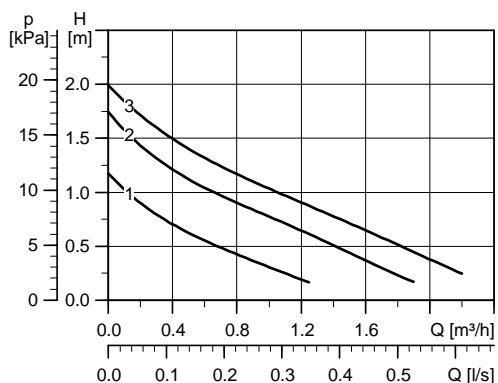
TIM03 0868 0705



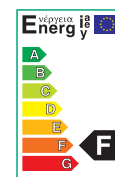
# 8. Performance curves and technical data

UPS 15-20, UPS 25-20 (A), UPS 32-20

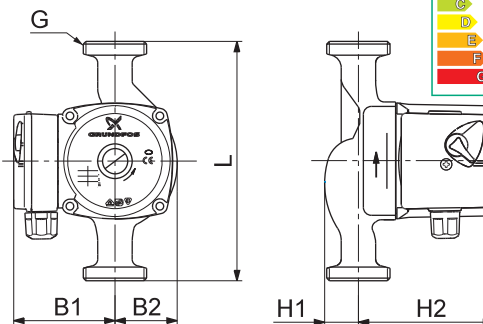
1 x 230 V, 50 Hz



TM00 9756 4708



TM00 9386 2105 - TM03 0873 0705



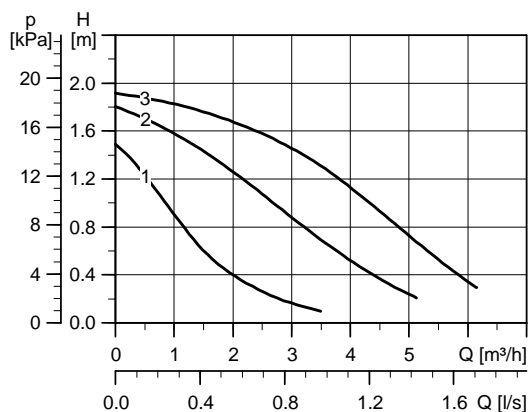
Speed	P <sub>1</sub> [W]	I <sub>1/I1</sub> [A]
3	65	0.26
2	40	0.18
1	25	0.11

Connections: See *Pipe connections* on page 50.  
 System pressure: Max. 10 bar  
 Liquid temperature: +2 °C to +110 °C (TF 110)  
 Also available with: Air separator, type A (only UPS 25-20 180)

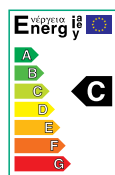
Pump type	Dimensions [mm]						Weights [kg]		Ship. vol. [m <sup>3</sup> ]
	L	H1	H2	B1	B2	G	Net	Gross	
UPS 15-20	130	32	102	75	51	1 1/2	2.4	2.6	0.004
UPS 25-20 (A)	180	32	102	75	51	1 1/2	2.6	2.8	0.004
UPS 32-20	180	39	102	75	51	2	2.6	2.8	0.004

UPS 36-20 F

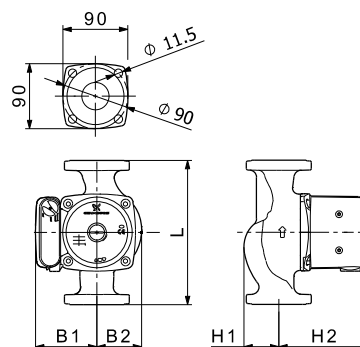
1 x 230 V, 50 Hz



TM04 3811 2409



TM04 3843 0109 - TM03 0870 0705



Speed	P <sub>1</sub> [W]	I <sub>1/I1</sub> [A]
3	50	0.22
2	40	0.18
1	25	0.12

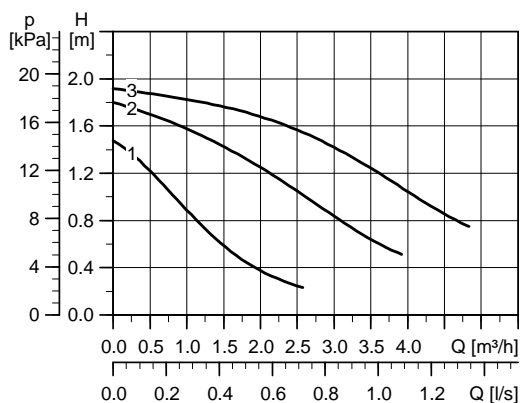
Connections: See *Pipe connections* on page 50.  
 System pressure: Max. 10 bar  
 Liquid temperature: -25 °C to +110 °C (TF 110)

The pump incorporates overload protection.

Pump type	Dimensions [mm]						Weights [kg]		Ship. vol. [m <sup>3</sup> ]
	L	H1	H2	B1	B2	G	Net	Gross	
UPS 36-20 F	200	48	125	85	62	-	5.6	5.9	0.010

## UPS 25-25

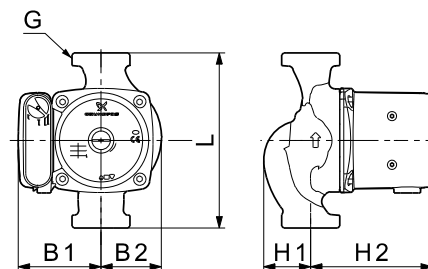
1 x 230 V, 50 Hz



TM04 3750 2409

Speed	P <sub>1</sub> [W]	I <sub>1/I1</sub> [A]
3	50	0.22
2	40	0.18
1	25	0.12

The pump incorporates overload protection.



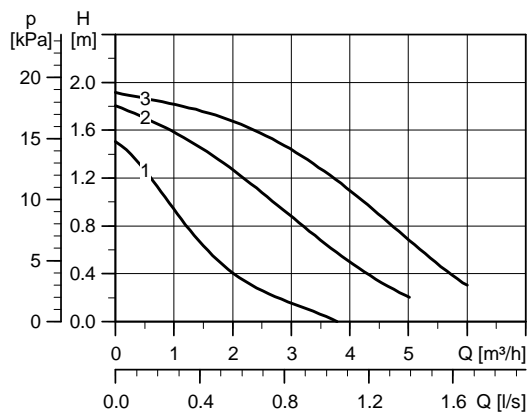
TM04 3847 5108 - TM03 0870 0705

Connections: See *Pipe connections* on page 50.  
 System pressure: Max. 10 bar  
 Liquid temperature: -25 °C to +110 °C (TF 110)

Pump type	Dimensions [mm]						Weights [kg]		Ship. vol. [m <sup>3</sup> ]
	L	H1	H2	B1	B2	G	Net	Gross	
UPS 25-25	180	46	125	85	62	1 1/2	4.4	4.6	0.008

## UPS 32-25

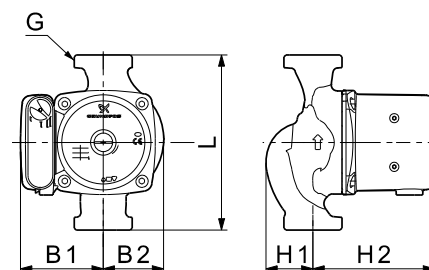
1 x 230 V, 50 Hz



TM04 3759 2409

Speed	P <sub>1</sub> [W]	I <sub>1/I1</sub> [A]
3	50	0.22
2	40	0.18
1	25	0.12

The pump incorporates overload protection.



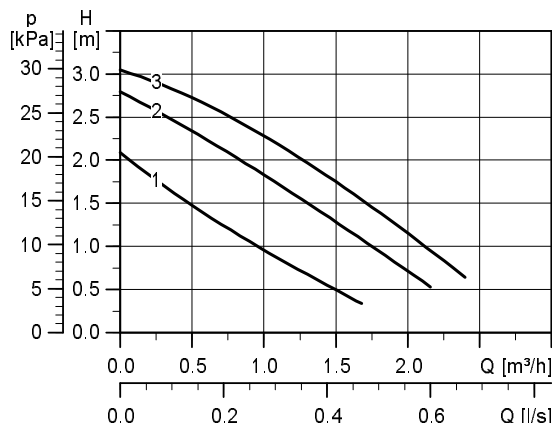
TM04 3847 5108 - TM03 0870 0705

Connections: See *Pipe connections* on page 50.  
 System pressure: Max. 10 bar  
 Liquid temperature: -25 °C to +110 °C (TF 110)

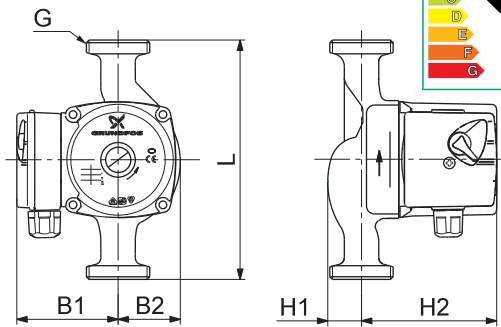
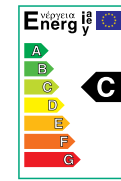
Pump type	Dimensions [mm]						Weights [kg]		Ship. vol. [m <sup>3</sup> ]
	L	H1	H2	B1	B2	G	Net	Gross	
UPS 32-25	180	48	125	85	62	2	4.5	4.8	0.008

UPS 15-30, UPS 25-30 (A), UPS 32-30

1 x 230 V, 50 Hz



TM04 5836 4009



TM00 9386 2105 - TM03 0870 0705

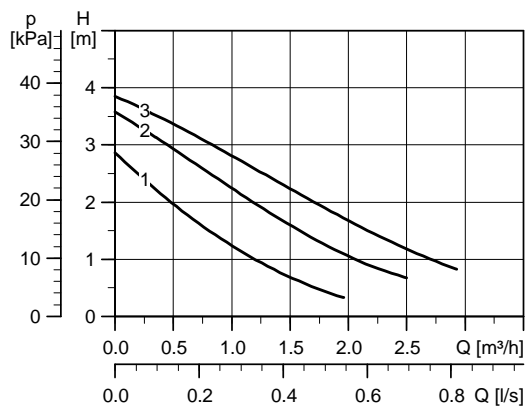
Speed	P <sub>1</sub> [W]	I <sub>1/I1</sub> [A]
3	55	0.24
2	35	0.17
1	25	0.11

Connections: See *Pipe connections* on page 50.  
 System pressure: Max. 10 bar  
 Liquid temperature: +2 °C to +110 °C (TF 110)  
 Also available with: Air separator, type A (only UPS 25-30 180)

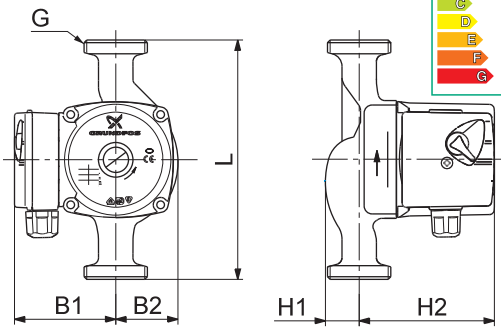
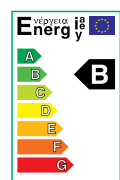
Pump type	Dimensions [mm]						Weights [kg]		Ship. vol. [m <sup>3</sup> ]
	L	H1	H2	B1	B2	G	Net	Gross	
UPS 15-30	130	28	102	75	51	1	2.3	2.5	0.004
UPS 25-30 (A)	180	32	102	75	51	1 1/2	2.6	2.8	0.004
UPS 32-30	180	39	102	75	51	2	2.6	2.8	0.004

UPS 15-40, UPS 20-40 (K), UPS 25-40 (K) (N) (A), UPS 32-40

1 x 230 V, 50 Hz



TM00 9749 4708



TM00 9386 2105 - TM03 0869 0705

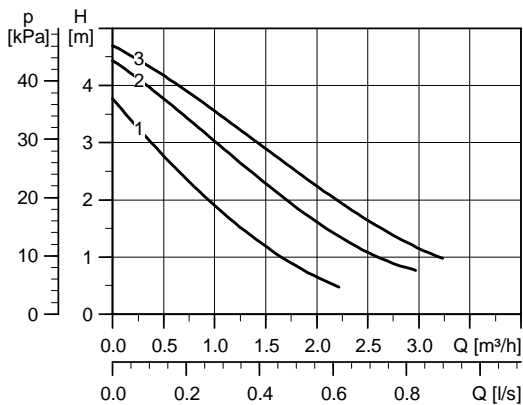
Speed	P <sub>1</sub> [W]	I <sub>1/I1</sub> [A]
3	45	0.20
2	35	0.16
1	25	0.12

Connections: See *Pipe connections* on page 50.  
 System pressure: Max. 10 bar  
 Liquid temperature: +2 °C to +110 °C (TF 110)  
 Also available with: Stainless-steel pump housing, type N, and air separator, type A (only UPS 25-40 180)

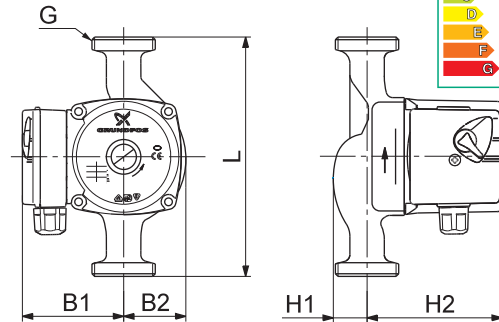
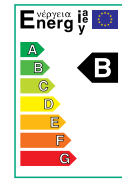
Pump type	Dimensions [mm]						Weights [kg]		Ship. vol. [m <sup>3</sup> ]
	L	H1	H2	B1	B2	G	Net	Gross	
UPS 15-40	130	28	102	75	51	1	2.3	2.5	0.004
UPS 20-40 (K)	130	28	102	75	51	1 1/4	2.6	2.8	0.004
UPS 25-40 (K) (N) (A)	180	32	102	75	51	1 1/2	2.6	2.8	0.004
UPS 32-40	180	39	102	75	51	2	2.6	2.8	0.004

## UPS 15-50, UPS 20-50, UPS 25-50 (K), UPS 32-50

1 x 230 V, 50 Hz



TM00 9750 2105



TM00 9366 2105 - TM03 0869 0705

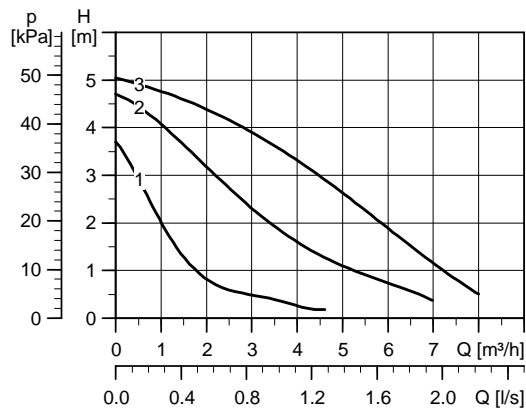
Speed	P <sub>1</sub> [W]	I <sub>1/I1</sub> [A]
3	50	0.23
2	45	0.20
1	35	0.16

Connections: See *Pipe connections* on page 50.  
 System pressure: Max. 10 bar  
 Liquid temperature: +2 °C to +110 °C (TF 110)

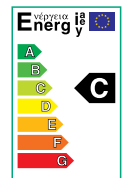
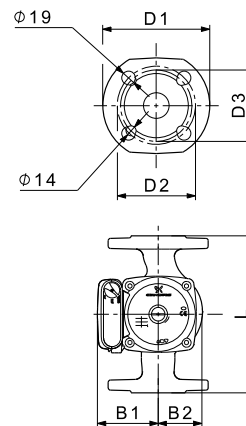
Pump type	Dimensions [mm]						Weights [kg]		Ship. vol. [m³]
	L	H1	H2	B1	B2	G	Net	Gross	
UPS 15-50	130	28	102	75	51	1	2.3	2.5	0.004
UPS 20-50	130	28	102	75	51	1 1/4	2.6	2.8	0.004
UPS 25-50 (K)	180	32	102	75	51	1 1/2	2.6	2.8	0.004
UPS 32-50	180	39	102	75	51	2	2.6	2.8	0.004

## UPS 32-50 F, UPS 40-50 F (N)

1 x 230 V, 50 Hz



TM04 3760 2409



TM04 6005 4609 - TM03 0870 0705

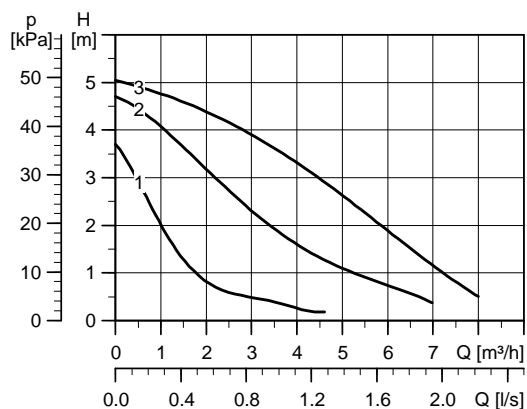
Speed	P <sub>1</sub> [W]	I <sub>1/I1</sub> [A]
3	105	0.46
2	100	0.44
1	75	0.32

Connections: See *Pipe connections* on page 50.  
 System pressure: Max. 10 bar  
 Liquid temperature: -25 °C to +110 °C (TF 110)  
 Also available with: Stainless-steel pump housing, type N (only UPS 40-50 F 250)

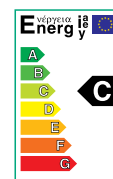
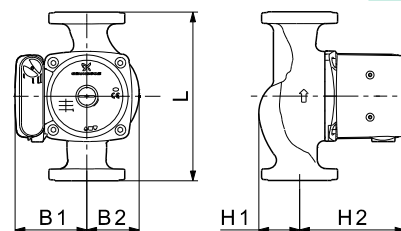
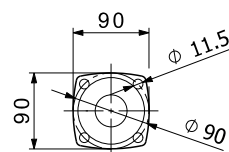
Pump type	Dimensions [mm]								Weights [kg]		Ship. vol. [m³]	
	L	D1	D2	D3	H1	H2	B1	B2	G	Net		Gross
UPS 32-50 F	220	140	100	90	62	125	85	62	-	7.4	7.7	0.010
UPS 40-50 F (N)	250	150	110	100	67	125	85	62	-	8.0	8.4	0.011

## UPS 36-50 F

1 x 230 V, 50 Hz



Speed	P <sub>1</sub> [W]	I <sub>1/I1</sub> [A]
3	105	0.46
2	100	0.44
1	75	0.32



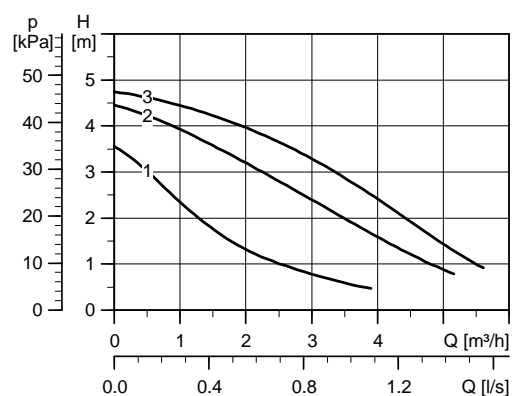
TM04 3843 0109 - TM03 0870 0705

Connections: See *Pipe connections* on page 50.  
 System pressure: Max. 10 bar  
 Liquid temperature: -25 °C to +110 °C (TF 110)

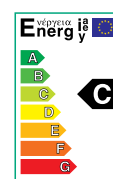
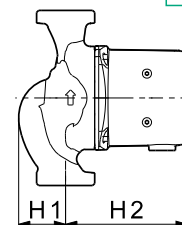
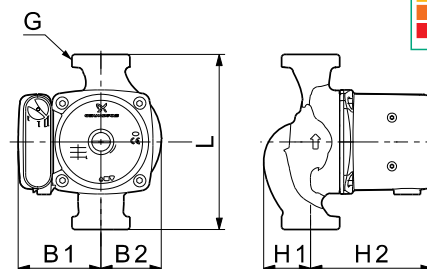
Pump type	Dimensions [mm]						Weights [kg]		Ship. vol. [m <sup>3</sup> ]
	L	H1	H2	B1	B2	G	Net	Gross	
UPS 36-50 F	200	48	125	85	62	-	5.7	6.0	0.010

## UPS 25-55 (N)

1 x 230 V, 50 Hz



Speed	P <sub>1</sub> [W]	I <sub>1/I1</sub> [A]
3	85	0.38
2	80	0.36
1	65	0.30



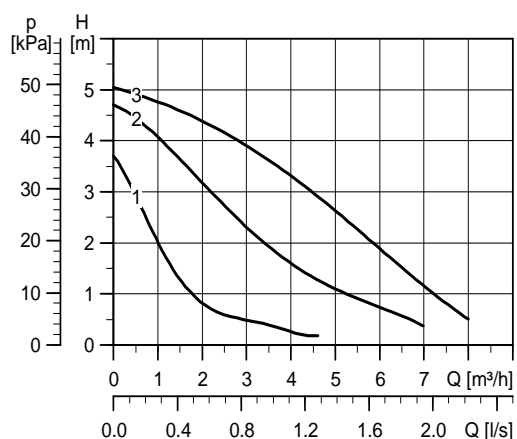
TM04 3847 5108 - TM03 0870 0705

Connections: See *Pipe connections* on page 50.  
 System pressure: Max. 10 bar  
 Liquid temperature: -25 °C to +110 °C (TF 110)  
 Also available with: Stainless-steel pump housing, type N

Pump type	Dimensions [mm]						Weights [kg]		Ship. vol. [m <sup>3</sup> ]
	L	H1	H2	B1	B2	G	Net	Gross	
UPS 25-55 (N)	180	46	125	85	62	1 1/2	4.6	4.7	0.008

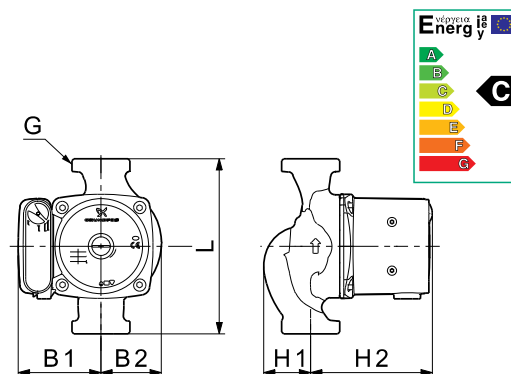
## UPS 32-55

1 x 230 V, 50 Hz



TM04 3760 2409

Speed	P <sub>1</sub> [W]	I <sub>1/I1</sub> [A]
3	105	0.46
2	100	0.44
1	65	0.32



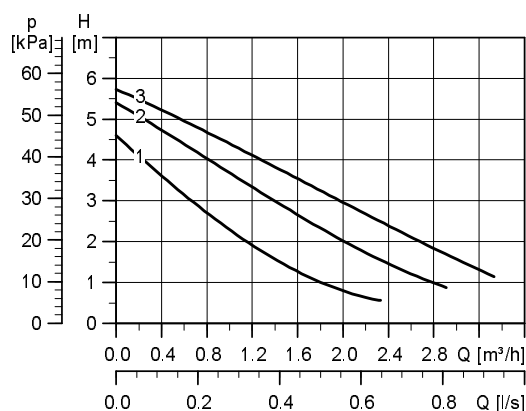
TM04 3847 5108 - TM03 0870 0705

Connections: See *Pipe connections* on page 50.  
 System pressure: Max. 10 bar  
 Liquid temperature: -25 °C to +110 °C (TF 110)  
 Also available with: Stainless-steel pump housing, type N

Pump type	Dimensions [mm]						Weights [kg]		Ship. vol. [m³]
	L	H1	H2	B1	B2	G	Net	Gross	
UPS 32-55	180	48	125	85	62	2	4.6	4.9	0.008

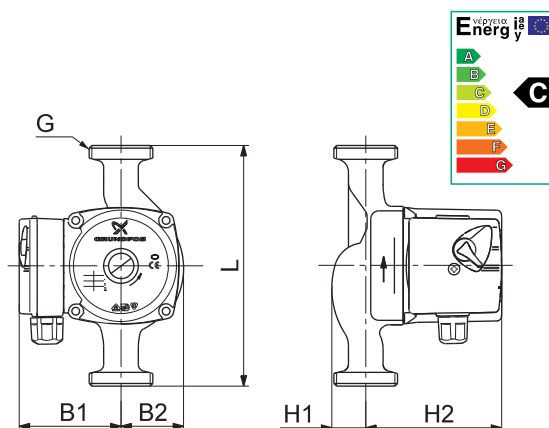
## UPS 15-60, UPS 20-60 (N)

1 x 230 V, 50 Hz



TM04 3760 2409

Speed	P <sub>1</sub> [W]	I <sub>1/I1</sub> [A]
3	105	0.46
2	100	0.44
1	65	0.32



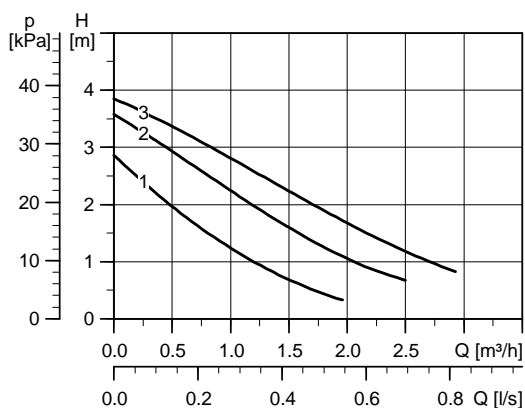
TM04 3847 5108 - TM03 0870 0705

Connections: See *Pipe connections* on page 50.  
 System pressure: Max. 10 bar  
 Liquid temperature: +2 °C to +110 °C (TF 110)  
 Also available with: Stainless-steel pump housing, type N (only UPS 20-60 130)

Pump type	Dimensions [mm]						Weights [kg]		Ship. vol. [m³]
	L	H1	H2	B1	B2	G	Net	Gross	
UPS 15-60	130	28	102	75	51	1	2.3	2.5	0.004
UPS 20-60 (N)	130	28	102	75	51	1 1/4	2.4	2.6	0.004

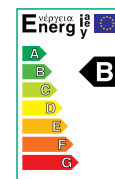
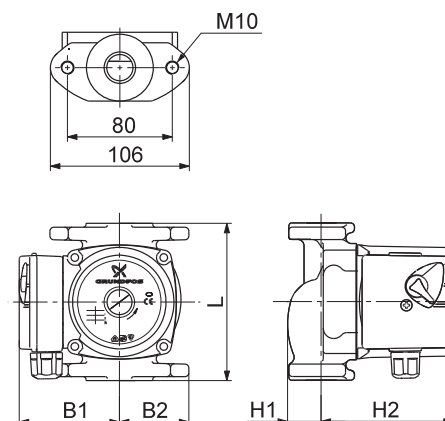
## UPS 21-40 F

1 x 230 V, 50 Hz



TM00 9749 4708

Speed	P <sub>1</sub> [W]	I <sub>1/I1</sub> [A]
3	45	0.20
2	35	0.16
1	25	0.12



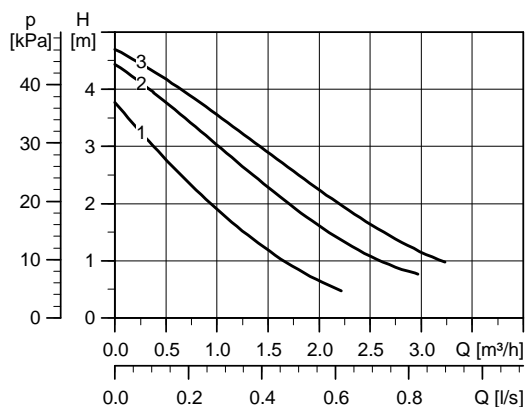
TM00 8929 2105 - TM03 0869 0705

Connections: See *Pipe connections* on page 50.  
 System pressure: Max. 10 bar  
 Liquid temperature: +2 °C to +110 °C (TF 110)  
 Also available with:

Pump type	Dimensions [mm]						Weights [kg]		Ship. vol. [m³]
	L	H1	H2	B1	B2	G	Net	Gross	
UPS 21-40 F	120	32	102	75	53		2.9	3.1	0.004

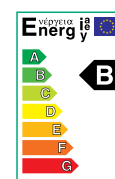
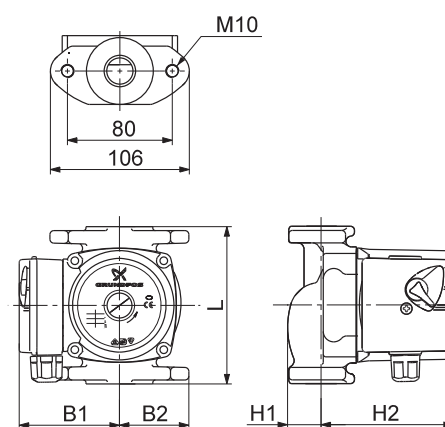
## UPS 21-50 F

1 x 230 V, 50 Hz



TM00 9750 4708

Speed	P <sub>1</sub> [W]	I <sub>1/I1</sub> [A]
3	50	0.23
2	45	0.20
1	35	0.16



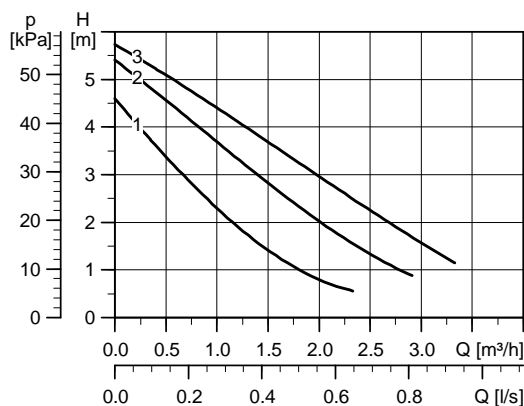
TM00 8929 2105 - TM03 0869 0705

Connections: See *Pipe connections* on page 50.  
 System pressure: Max. 10 bar  
 Liquid temperature: +2 °C to +110 °C (TF 110)  
 Also available with:

Pump type	Dimensions [mm]						Weights [kg]		Ship. vol. [m³]
	L	H1	H2	B1	B2	G	Net	Gross	
UPS 21-50 F	120	32	102	75	53		2.9	3.1	0.004

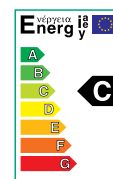
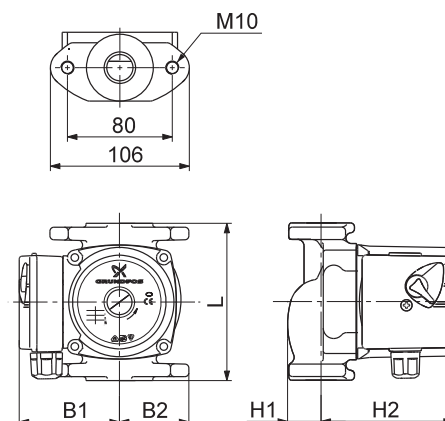
## UPS 21-60 F (K)

1 x 230 V, 50 Hz



TM00 9751 4708

Speed	P <sub>1</sub> [W]	I <sub>1/1</sub> [A]
3	70	0.30
2	60	0.27
1	50	0.22



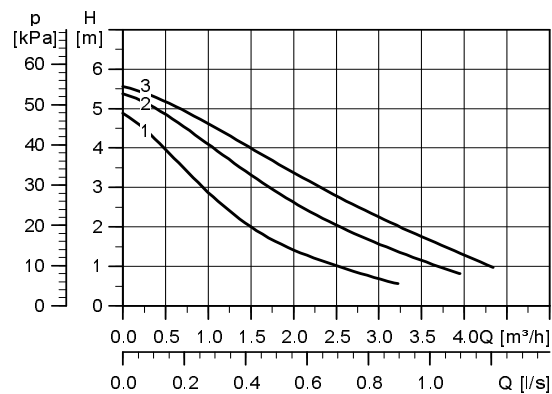
TM00 8929 2105 - TM03 0870 0705

Connections: See *Pipe connections* on page 50.  
 System pressure: Max. 10 bar  
 Liquid temperature: +2 °C to +110 °C (TF 110)  
 Also available with:

Pump type	Dimensions [mm]						Weights [kg]		Ship. vol. [m³]
	L	H1	H2	B1	B2	G	Net	Gross	
UPS 21-60 F	120	32	102	75	53		2.9	3.1	0.004

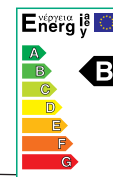
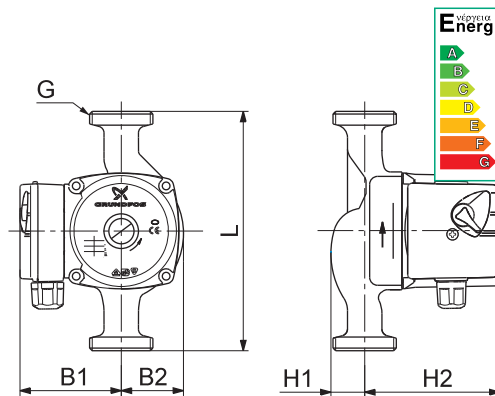
## UPS 25-60 (K) (N) (A)

1 x 230 V, 50 Hz



TM04 5012 2409

Speed	P <sub>1</sub> [W]	I <sub>1/1</sub> [A]
3	60	0.28
2	55	0.25
1	50	0.21



TM00 8945 2105 - TM03 0869 4608

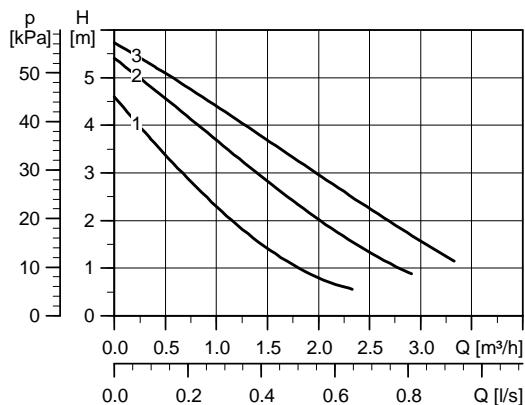
Connections: See *Pipe connections* on page 50.  
 System pressure: Max. 10 bar  
 Liquid temperature: +2 °C to +110 °C (TF 110)  
 Also available with: Stainless-steel pump housing, type N, and air separator, type A

Pump type	Dimensions [mm]						Weights [kg]		Ship. vol. [m³]
	L	H1	H2	B1	B2	G	Net	Gross	
UPS 25-60 (K) (N) (A)	180	38	96	75	50	1 1/2	2.6	2.8	0.004

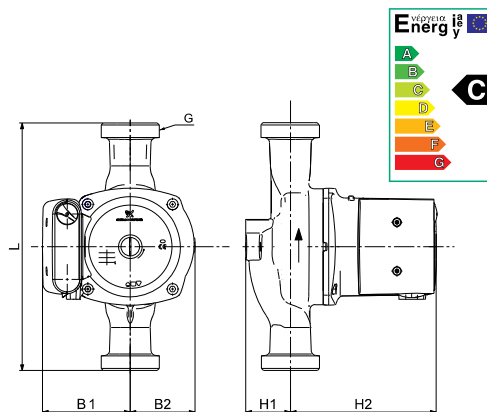


UPS 32-60

1 x 230 V, 50 Hz



TM00 9751 4708



TM04 2809 3408 - TM03 0870 0705

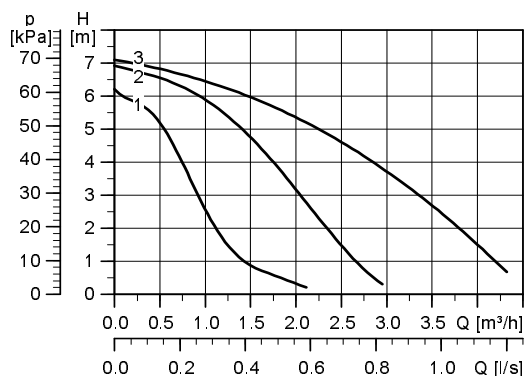
Speed	P <sub>1</sub> [W]	I <sub>1/I1</sub> [A]
3	70	0.30
2	60	0.27
1	50	0.22

Connections: See *Pipe connections* on page 50.  
 System pressure: Max. 10 bar  
 Liquid temperature: +2 °C to +110 °C (TF 110)

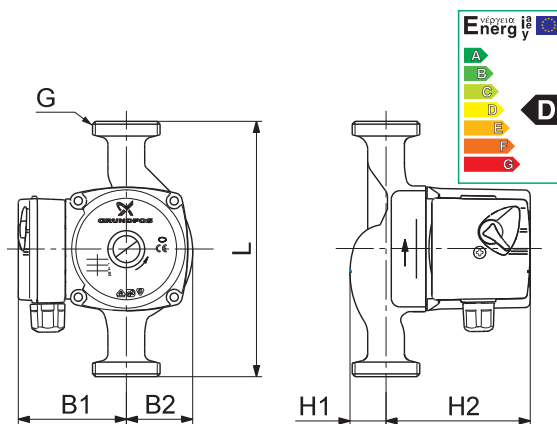
Pump type	Dimensions [mm]						Weights [kg]		Ship. vol. [m³]
	L	H1	H2	B1	B2	G	Net	Gross	
UPS 32-60	180	39	102	73	51	2	2.6	2.8	0.004

UPS 25-70, UPS 32-70

1 x 230 V, 50 Hz



TM04 5007 2409



TM00 9386 2105 - TM03 0871 0705

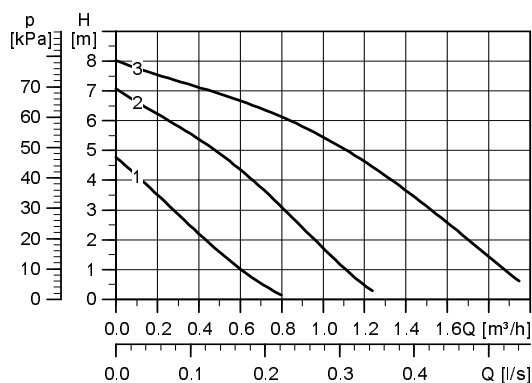
Speed	P <sub>1</sub> [W]	I <sub>1/I1</sub> [A]
3	140	0.62
2	120	0.56
1	95	0.45

Connections: See *Pipe connections* on page 50.  
 System pressure: Max. 10 bar  
 Liquid temperature: +2 °C to +95 °C (TF 110)

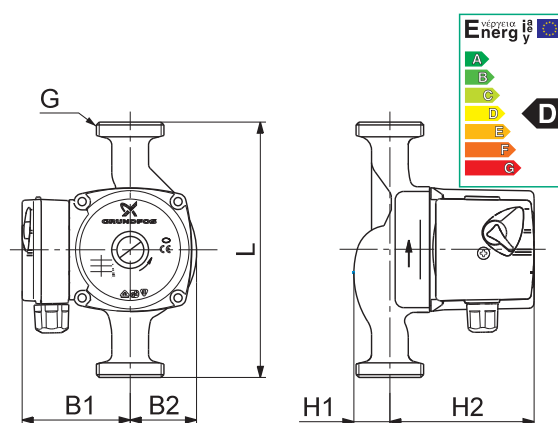
Pump type	Dimensions [mm]						Weights [kg]		Ship. vol. [m³]
	L	H1	H2	B1	B2	G	Net	Gross	
UPS 25-70	180	32	102	75	51	1 1/2	2.4	2.6	0.004
UPS 32-70	180	32	102	75	51	2	2.6	2.8	0.004

## UPS 15-80

1 x 230 V, 50 Hz



Speed	P <sub>1</sub> [W]	I <sub>1/1</sub> [A]
3	110	0.47
2	75	0.34
1	45	0.22

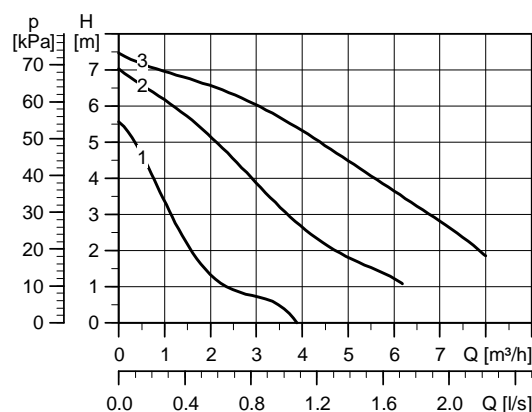


Connections: See *Pipe connections* on page 50.  
 System pressure: Max. 10 bar  
 Liquid temperature: +2 °C to +110 °C (TF 110)

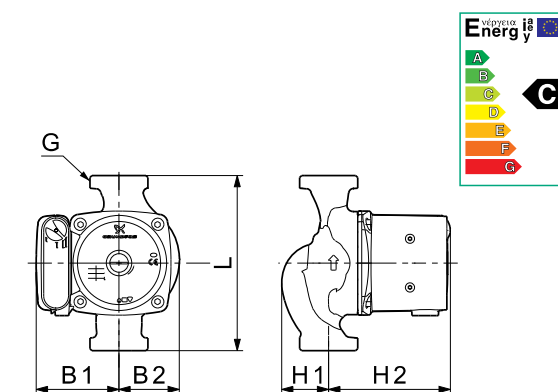
Pump type	Dimensions [mm]						Weights [kg]		Ship. vol. [m <sup>3</sup> ]
	L	H1	H2	B1	B2	G	Net	Gross	
UPS 15-80	130	28	102	75	51	1	2.3	2.5	0.004

## UPS 25-80 (N)

1 x 230 V, 50 Hz



Speed	P <sub>1</sub> [W]	I <sub>1/1</sub> [A]
3	165	0.70
2	155	0.70
1	110	0.50

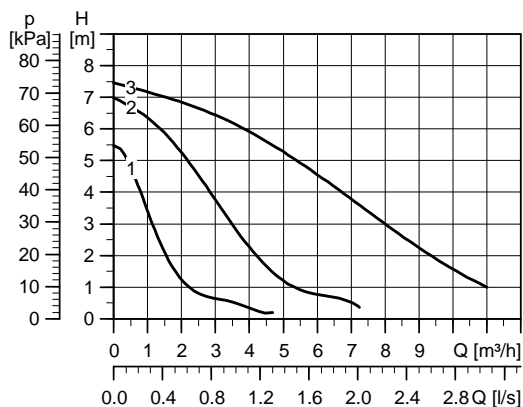


Connections: See *Pipe connections* on page 50.  
 System pressure: Max. 10 bar  
 Liquid temperature: -25 °C to +110 °C (TF 110)  
 Also available with: Stainless-steel pump housing, type N

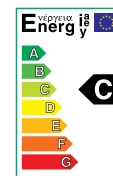
Pump type	Dimensions [mm]						Weights [kg]		Ship. vol. [m <sup>3</sup> ]
	L	H1	H2	B1	B2	G	Net	Gross	
UPS 25-80 (N)	180	46	125	85	62	1 1/2	4.4	4.7	0.008

## UPS 32-80 (N)

1 x 230 V, 50 Hz

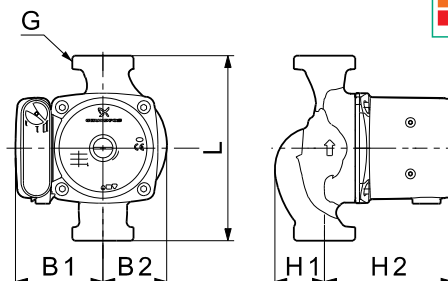


TM04 3761 2409



TM04 3847 5108 - TM03 0870 0705

Speed	P <sub>1</sub> [W]	I <sub>1/I1</sub> [A]
3	220	0.98
2	200	0.90
1	135	0.60

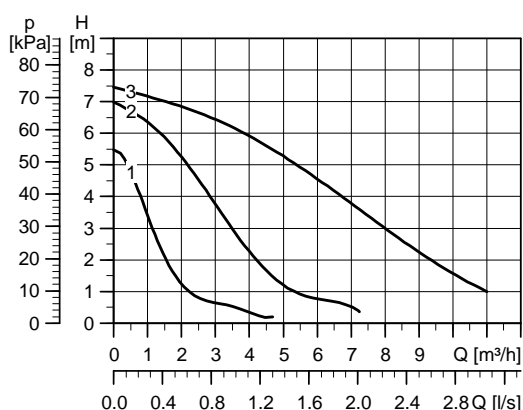


Connections: See *Pipe connections* on page 50.  
 System pressure: Max. 10 bar  
 Liquid temperature: -25 °C to +110 °C (TF 110)  
 Also available with: Stainless-steel pump housing, type N

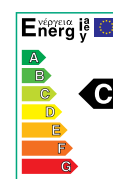
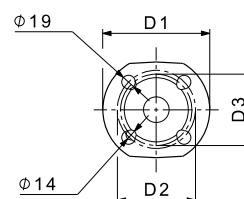
Pump type	Dimensions [mm]						Weights [kg]		Ship. vol. [m <sup>3</sup> ]
	L	H1	H2	B1	B2	G	Net	Gross	
UPS 32-80 (N)	180	48	125	85	62	2	4.6	4.9	0.008

## UPS 32-80 F, UPS 40-80 F (N)

1 x 230 V, 50 Hz



TM04 3761 2409



TM04 6005 4609 - TM03 0870 0705

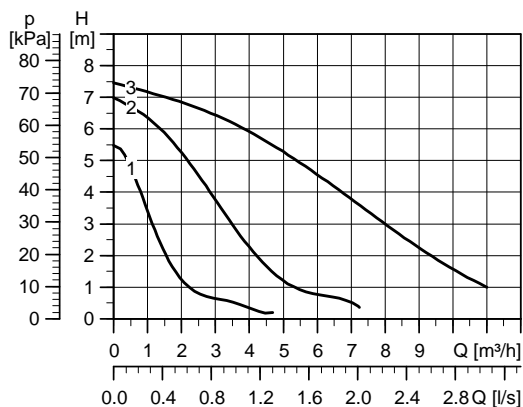
Speed	P <sub>1</sub> [W]	I <sub>1/I1</sub> [A]
3	220	0.98
2	200	0.90
1	135	0.60

Connections: See *Pipe connections* on page 50.  
 System pressure: Max. 10 bar  
 Liquid temperature: -25 °C to +110 °C (TF 110)  
 Also available with: Stainless-steel pump housing, type N (only UPS 40-80 F 250)

Pump type	Dimensions [mm]									Weights [kg]		Ship. vol. [m <sup>3</sup> ]
	L	D1	D2	D3	H1	H2	B1	B2	G	Net	Gross	
UPS 32-80 F	220	140	100	90	62	125	85	62	-	7.4	7.8	0.010
UPS 40-80 F (N)	250	150	110	100	67	125	85	62	-	8.1	8.5	0.011

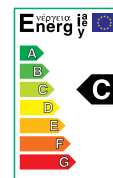
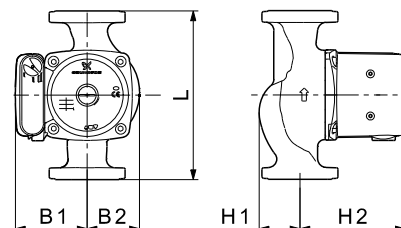
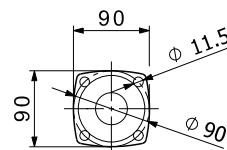
## UPS 36-80 F

1 x 230 V, 50 Hz



TM04 3761 2409

Speed	P <sub>1</sub> [W]	I <sub>1/I</sub> [A]
3	220	0.98
2	200	0.90
1	135	0.60



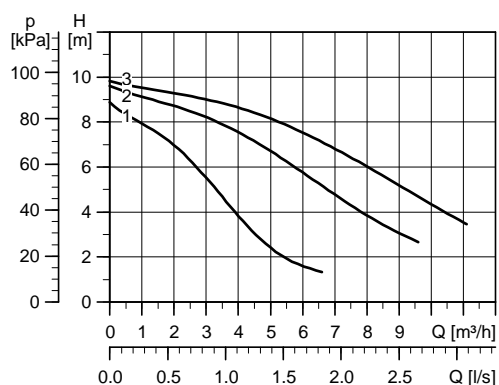
TM04 3843 0109 - TM03 0870 0705

Connections: See *Pipe connections* on page 50.  
 System pressure: Max. 10 bar  
 Liquid temperature: -25 °C to +110 °C (TF 110)

Pump type	Dimensions [mm]						Weights [kg]		Ship. vol. [m <sup>3</sup> ]
	L	H1	H2	B1	B2	G	Net	Gross	
UPS 36-80 F	200	48	125	85	62	-	5.7	6.1	0.010

## UPS 25-100, UPS 32-100 (N)

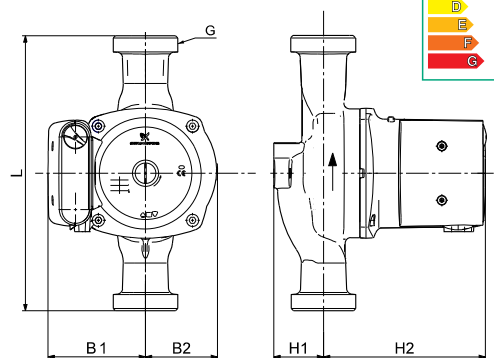
1 x 230 V, 50 Hz



TM04 3614 4708

Speed	P <sub>1</sub> [W]	I <sub>1/I</sub> [A]
3	345	1.52
2	340	1.50
1	280	1.30

The pump has a built-in thermal switch and requires no additional motor protection.



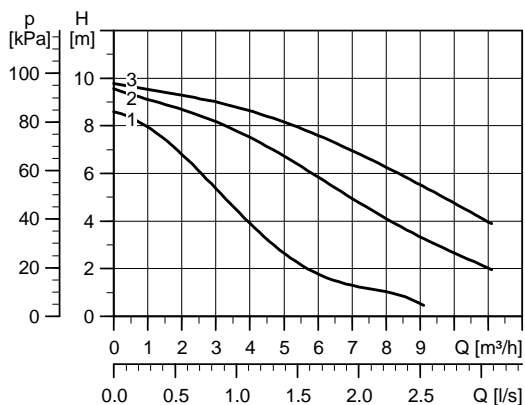
TM04 2809 3408 - TM03 0870 0705

Connections: See *Pipe connections* on page 50.  
 System pressure: Max. 10 bar  
 Liquid temperature: -25 °C to +110 °C (TF 110)  
 Also available with: Stainless-steel pump housing, type N (only UPS 32-100 180)

Pump type	Dimensions [mm]						Weights [kg]		Ship. vol. [m <sup>3</sup> ]
	L	H1	H2	B1	B2	G	Net	Gross	
UPS 25-100	180	47	150	90	68	1 1/2	6.3	6.8	0.012
UPS 32-100 (N)	180	47	150	90	68	2	6.4	7.0	0.012

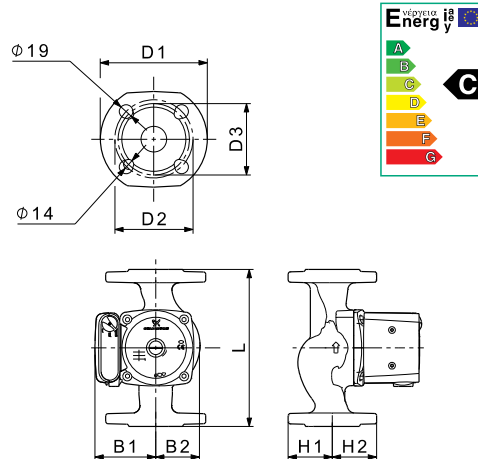
UPS 32-100 F, UPS 40-100 F (N)

1 x 230 V, 50 Hz



Speed	P <sub>1</sub> [W]	I <sub>1/1</sub> [A]
3	345	1.52
2	340	1.50
1	280	1.30

The pump has a built-in thermal switch and requires no additional motor protection.

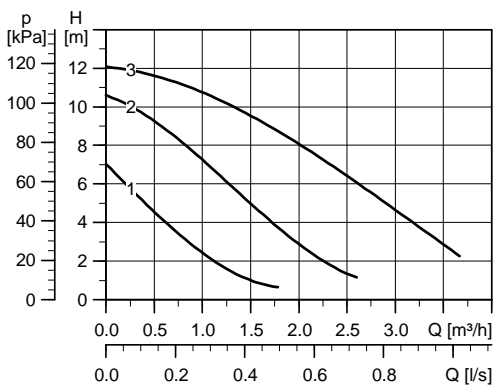


Connections: See *Pipe connections* on page 50.  
 System pressure: Max. 10 bar  
 Liquid temperature: -25 °C to +110 °C (TF 110)  
 Also available with: Stainless-steel pump housing, type N (only UPS 40-100 F 250)

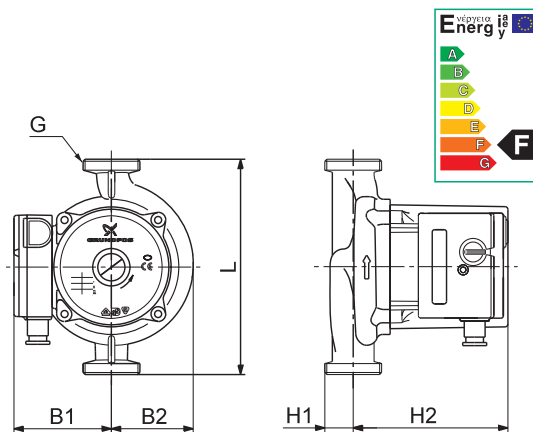
Pump type	Dimensions [mm]									Weights [kg]		Ship. vol. [m <sup>3</sup> ]
	L	D1	D2	D3	H1	H2	B1	B2	G	Net	Gross	
UPS 32-100 F	220	140	100	90	62	150	90	68	-	9.0	9.8	0.016
UPS 40-100 F (N)	250	150	110	100	62	150	90	68	-	9.6	10.4	0.016

UPS 25-120

1 x 230 V, 50 Hz



Speed	P <sub>1</sub> [W]	I <sub>1/1</sub> [A]
3	235	1.02
2	180	0.78
1	120	0.53

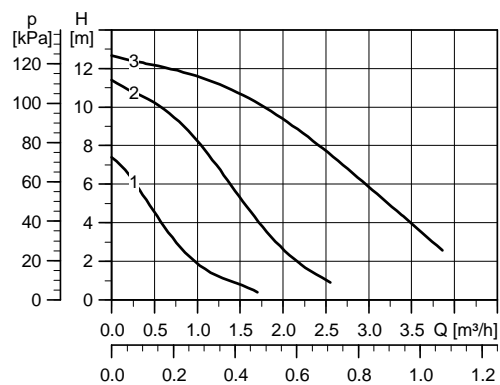


Connections: See *Pipe connections* on page 50.  
 System pressure: Max. 10 bar  
 Liquid temperature: +2 °C to +95 °C (TF 110)

Pump type	Dimensions [mm]						Weights [kg]		Ship. vol. [m <sup>3</sup> ]
	L	H1	H2	B1	B2	G	Net	Gross	
UPS 25-120	180	32	130	82	69	1 1/2	4.4	4.6	0.006

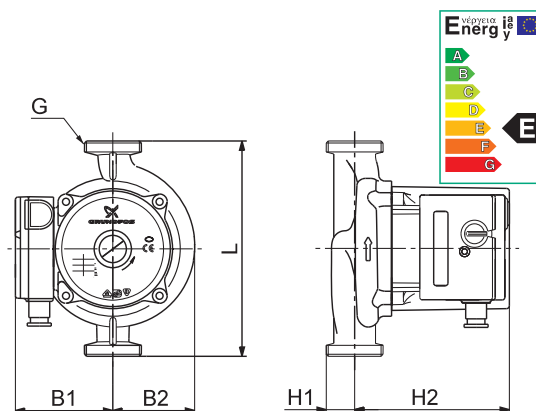
## UPS 25-125

1 x 230 V, 50 Hz



TM02 2204 4708

Speed	P <sub>1</sub> [W]	I <sub>1/1</sub> [A]
3	270	1.18
2	210	0.93
1	135	0.61



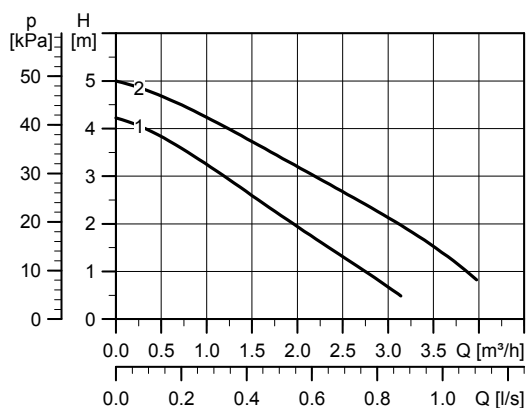
TM02 1329 2105 - TM03 0872 0705

Connections: See *Pipe connections* on page 50.  
 System pressure: Max. 10 bar  
 Liquid temperature: +2 °C to +60 °C (TF 60)

Pump type	Dimensions [mm]						Weights [kg]		Ship. vol. [m <sup>3</sup> ]
	L	H1	H2	B1	B2	G	Net	Gross	
UPS 25-125	180	32	130	82	69	1 1/2	4.4	4.6	0.006

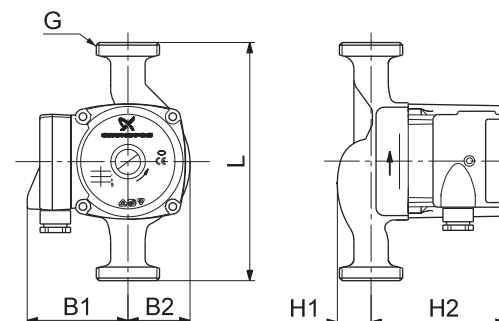
## UPS 25-50

3 x 230 V, 50 Hz



TM05 1719 3611

Speed	P <sub>1</sub> [W]	I <sub>1/1</sub> [A]
2	110	0.37
1	115	0.37



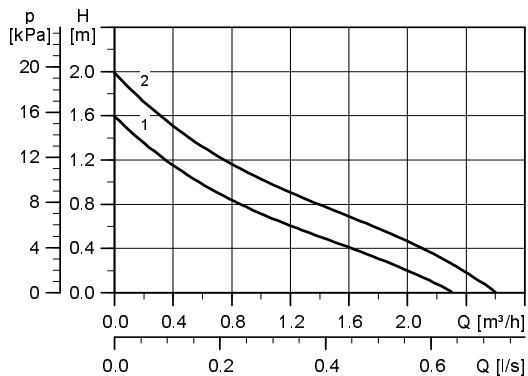
TM00 8960 2105 - TM03 0871 0705

Connections: See *Pipe connections* on page 50.  
 System pressure: Max. 10 bar  
 Liquid temperature: +2 °C to +110 °C (TF 110)

Pump type	Dimensions [mm]						Weights [kg]		Ship. vol. [m <sup>3</sup> ]
	L	H1	H2	B1	B2	G	Net	Gross	
UPS 25-50	180	32	102	75	47	1 1/2	2.4	2.8	0.004

UPS 25-20, UPS 32-20

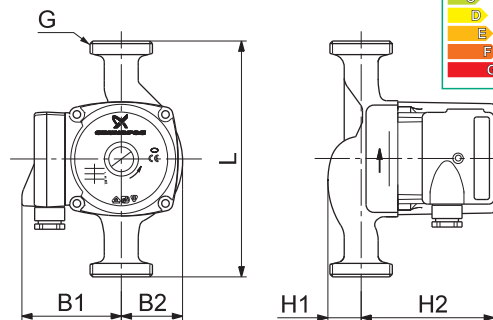
3 x 400 V, 50 Hz



TM04 5009 2409



TM00 8960 2105 - TM03 0873 0705



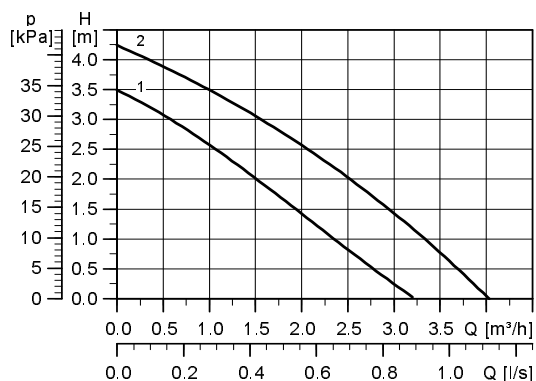
Speed	P <sub>1</sub> [W]	I <sub>1/1</sub> [A]
2	60	0.15
1	85	0.16

Connections: See *Pipe connections* on page 50.  
 System pressure: Max. 10 bar  
 Liquid temperature: +2 °C to +110 °C (TF 110)

Pump type	Dimensions [mm]						Weights [kg]		Ship. vol. [m <sup>3</sup> ]
	L	H1	H2	B1	B2	G	Net	Gross	
UPS 25-20	180	32	102	75	51	1 1/2	2.6	2.8	0.004
UPS 32-20	180	39	102	73	51	2	2.6	2.8	0.004

UPS 25-40, UPS 32-40

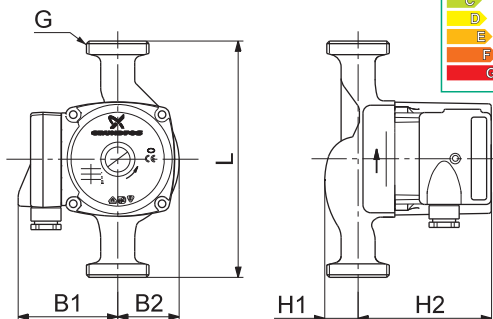
3 x 400 V, 50 Hz



TM04 5010 2409



TM00 8960 2105 - TM03 0871 0705



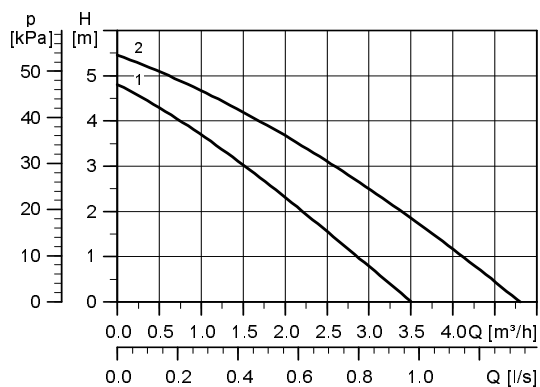
Speed	P <sub>1</sub> [W]	I <sub>1/1</sub> [A]
2	95	0.18
1	110	0.20

Connections: See *Pipe connections* on page 50.  
 System pressure: Max. 10 bar  
 Liquid temperature: +2 °C to +110 °C (TF 110)

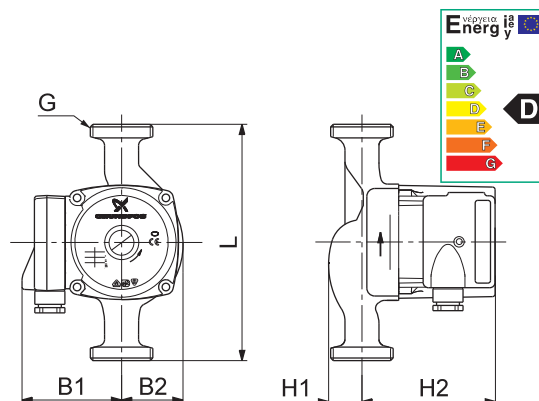
Pump type	Dimensions [mm]						Weights [kg]		Ship. vol. [m <sup>3</sup> ]
	L	H1	H2	B1	B2	G	Net	Gross	
UPS 25-40	130	32	102	73	51	1 1/2	2.5	2.7	0.004
UPS 25-40	180	32	102	73	51	1 1/2	2.5	2.7	0.004
UPS 32-40	180	39	102	73	51	2	2.6	2.8	0.004

## UPS 25-50, UPS 32-50

3 x 400 V, 50 Hz



Speed	P <sub>1</sub> [W]	I <sub>1/I</sub> [A]
2	115	0.20
1	130	0.22

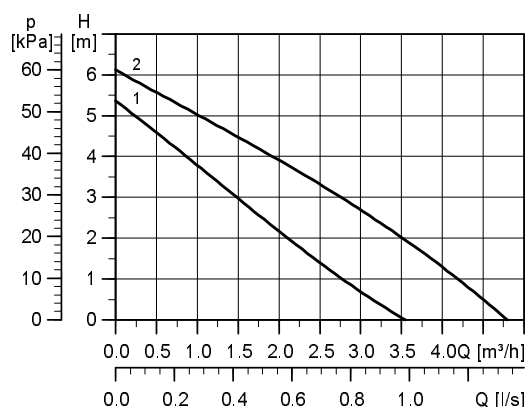


Connections: See *Pipe connections* on page 50.  
 System pressure: Max. 10 bar  
 Liquid temperature: +2 °C to +110 °C (TF 110)

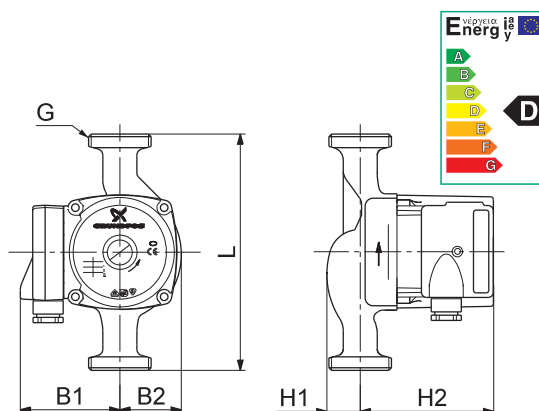
Pump type	Dimensions [mm]						Weights [kg]		Ship. vol. [m <sup>3</sup> ]
	L	H1	H2	B1	B2	G	Net	Gross	
UPS 25-50	180	32	102	73	51	1 1/2	2.5	2.7	0.004
UPS 32-50	180	39	102	73	51	2	2.6	2.8	0.004

## UPS 25-60 (N), UPS 32-60

3 x 400 V, 50 Hz



Speed	P <sub>1</sub> [W]	I <sub>1/I</sub> [A]
2	115	0.20
1	130	0.22



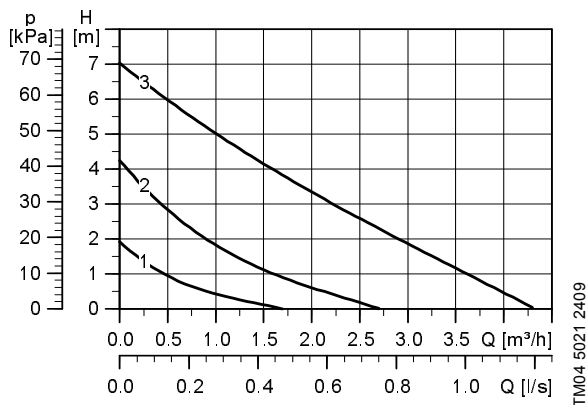
Connections: See *Pipe connections* on page 50.  
 System pressure: Max. 10 bar  
 Liquid temperature: +2 °C to +110 °C (TF 110)  
 Also available with: Stainless-steel pump housing, type N (only UPS 25-60 180)

Pump type	Dimensions [mm]						Weights [kg]		Ship. vol. [m <sup>3</sup> ]
	L	H1	H2	B1	B2	G	Net	Gross	
UPS 25-60 (N)	180	32	102	73	51	1 1/2	2.5	2.7	0.004
UPS 32-60	180	39	102	73	51	2	2.6	2.8	0.004



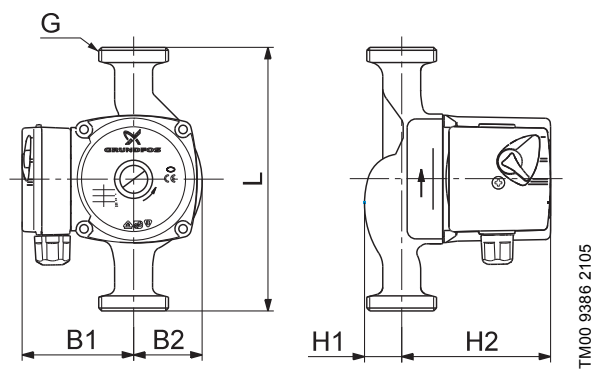
**UPS 15-62**

1 x 220 V, 60 Hz



Speed	P <sub>1</sub> [W]	I <sub>1/I1</sub> [A]
3	115	0.51
2	65	0.30
1	35	0.17

The pump has a built-in thermal switch and requires no additional motor protection.

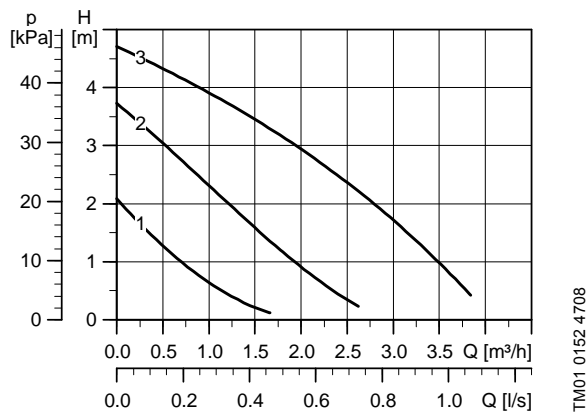


Connections: See *Pipe connections* on page 50.  
 System pressure: Max. 10 bar  
 Liquid temperature: +2 °C to +95 °C (TF 110)

Pump type	Dimensions [mm]						Weights [kg]		Ship. vol. [m <sup>3</sup> ]
	L	H1	H2	B1	B2	G	Net	Gross	
UPS 15-62	130	32	102	75	51	1 1/2	2.6	2.8	0.004

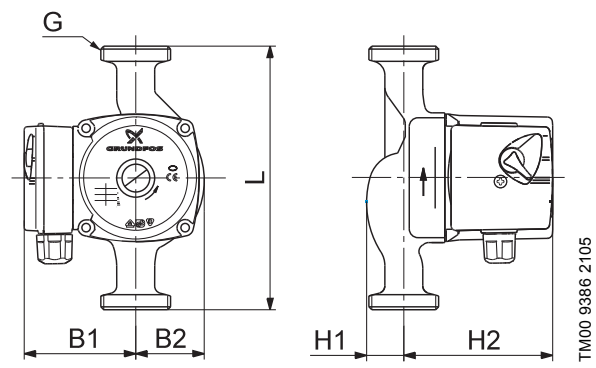
**UPS 25-42**

1 x 220 V, 60 Hz



Speed	P <sub>1</sub> [W]	I <sub>1/I1</sub> [A]
3	85	0.40
2	50	0.26
1	30	0.15

The pump has a built-in thermal switch and requires no additional motor protection.

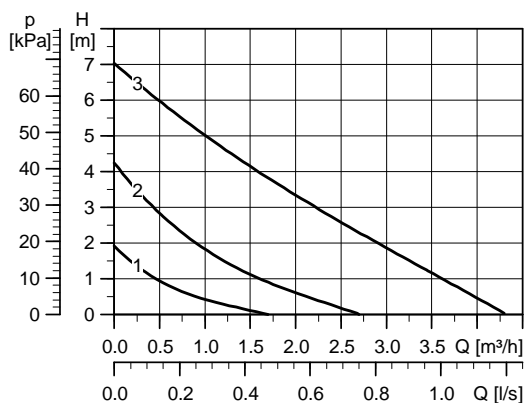


Connections: See *Pipe connections* on page 50.  
 System pressure: Max. 10 bar  
 Liquid temperature: +2 °C to +95 °C (TF 110)

Pump type	Dimensions [mm]						Weights [kg]		Ship. vol. [m <sup>3</sup> ]
	L	H1	H2	B1	B2	G	Net	Gross	
UPS 25-42	180	32	102	75	51	1 1/2	2.6	2.8	0.004

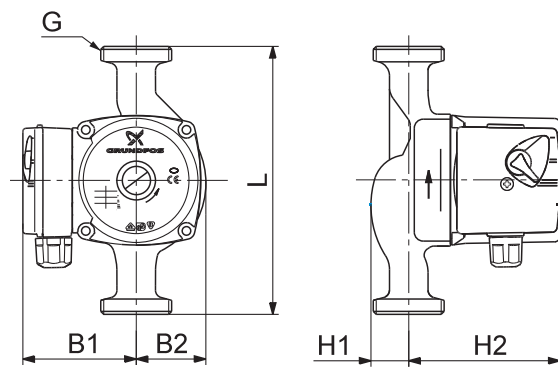
## UPS 25-62

1 x 220 V, 60 Hz



TM01 0153 4708

Speed	P <sub>1</sub> [W]	I <sub>1/1</sub> [A]
3	115	0.51
2	65	0.30
1	35	0.17



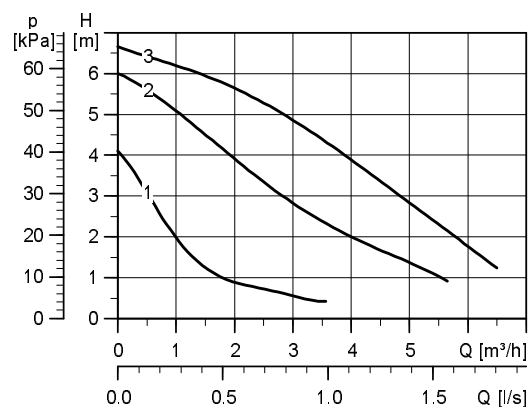
TM00 9386 2105

Connections: See *Pipe connections* on page 50.  
 System pressure: Max. 10 bar  
 Liquid temperature: +2 °C to +110 °C (TF 110)

Pump type	Dimensions [mm]						Weights [kg]		Ship. vol. [m³]
	L	H1	H2	B1	B2	G	Net	Gross	
UPS 25-62	180	32	102	75	51	1 1/2	2.6	2.8	0.004

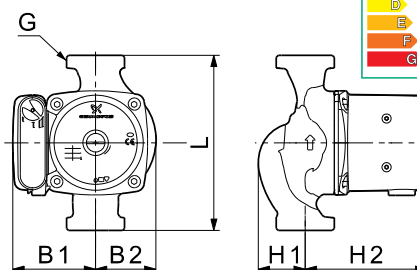
## UPS 25-72

1 x 220 V, 60 Hz



TM04 5564 3409

Speed	P <sub>1</sub> [W]	I <sub>1/1</sub> [A]
3	135	0.60
2	125	0.58
1	90	0.44



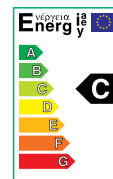
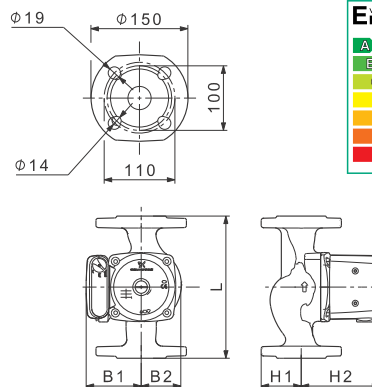
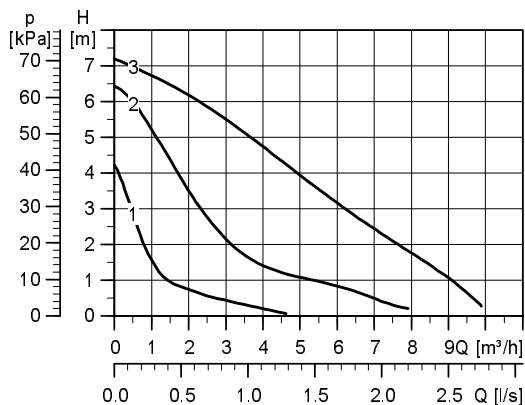
TM04 3847 5108 - TM03 0871 0705

Connections: See *Pipe connections* on page 50.  
 System pressure: Max. 10 bar  
 Liquid temperature: -25 °C to +110 °C (TF 110)

Pump type	Dimensions [mm]						Weights [kg]		Ship. vol. [m³]
	L	H1	H2	B1	B2	G	Net	Gross	
UPS 25-72	180	46	125	85	62	1 1/2	4.0	4.7	0.008

UPS 40-72 F

1 x 220 V, 60 Hz



TM04 3845 5108 - TM03 0870 0705

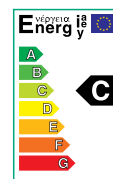
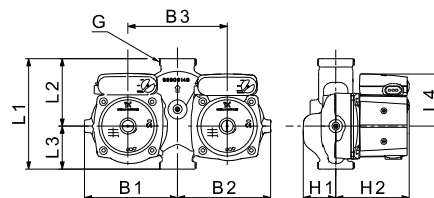
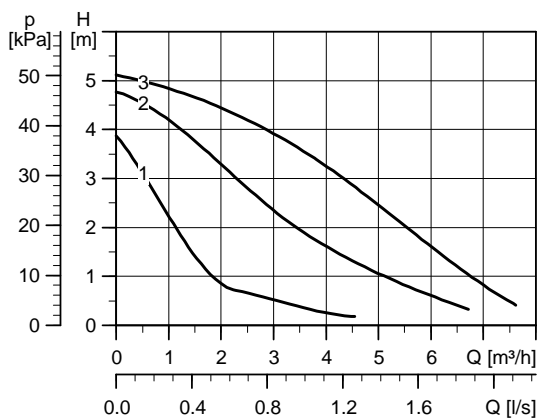
Speed	P <sub>1</sub> [W]	I <sub>1/I1</sub> [A]
3	160	0.72
2	140	0.68
1	90	0.44

Connections: See *Pipe connections* on page 50.  
 System pressure: Max. 10 bar  
 Liquid temperature: -25 °C to +110 °C (TF 110)

Pump type	Dimensions [mm]						Weights [kg]		Ship. vol. [m <sup>3</sup> ]
	L	H1	H2	B1	B2	G	Net	Gross	
UPS 40-72 F	250	67	125	85	62	-	7.4	9.7	0.013

UPSD 32-50

1 x 230 V, 50 Hz



TM04 3841 5108 - TM03 0870 0705

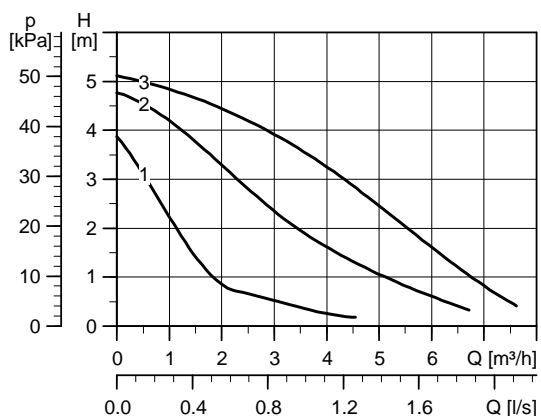
Speed	P <sub>1</sub> [W]	I <sub>1/I1</sub> [A]
3	105	0.46
2	100	0.44
1	75	0.32

Connections: See *Pipe connections* on page 50.  
 System pressure: Max. 10 bar  
 Liquid temperature: -25 °C to +110 °C (TF 110)

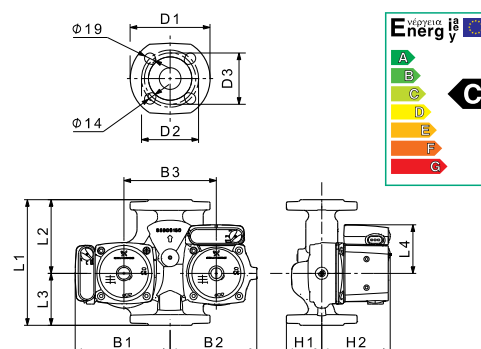
Pump type	Dimensions [mm]											Weights [kg]		Ship. vol. [m <sup>3</sup> ]
	L1	L2	L3	L4	H1	H2	B1	B2	B3	G	Net	Gross		
UPSD 32-50	180	110	70	85	53	120	166	152	162	2	10.7	11.1	0.018	

## UPSD 32-50 F, UPSD 40-50 F

1 x 230 V, 50 Hz



Speed	P <sub>1</sub> [W]	I <sub>1/I</sub> [A]
3	105	0.46
2	100	0.44
1	75	0.32

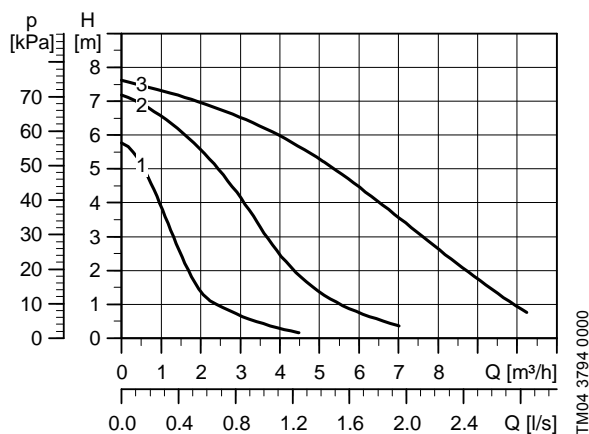


Connections: See *Pipe connections* on page 50.  
 System pressure: Max. 10 bar  
 Liquid temperature: -25 °C to +110 °C (TF 110)

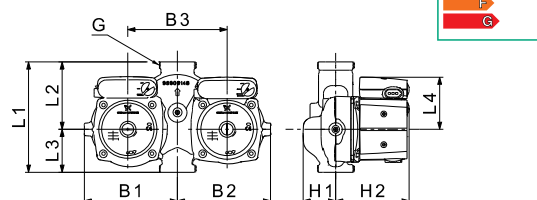
Pump type	Dimensions [mm]												Weights [kg]		Ship. vol. [m <sup>3</sup> ]	
	L1	D1	D2	D3	L2	L3	L4	H1	H2	B1	B2	B3	G	Net		Gross
UPSD 32-50 F	220	140	100	90	129	91	85	62	120	166	152	162	-	13.6	14.2	0.018
UPSD 40-50 F	250	150	110	100	129	121	85	67	120	166	152	162	-	14.1	14.8	0.021

## UPSD 32-80

1 x 230 V, 50 Hz



Speed	P <sub>1</sub> [W]	I <sub>1/I</sub> [A]
3	105	0.46
2	100	0.44
1	75	0.32

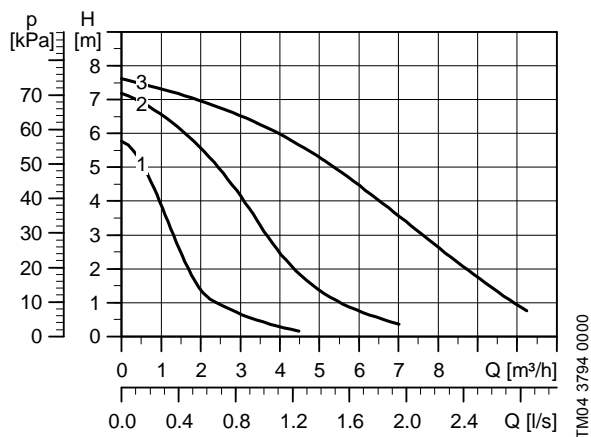


Connections: See *Pipe connections* on page 50.  
 System pressure: Max. 10 bar  
 Liquid temperature: -25 °C to +110 °C (TF 110)

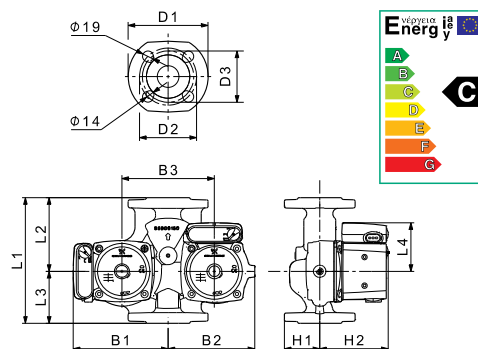
Pump type	Dimensions [mm]										Weights [kg]		Ship. vol. [m <sup>3</sup> ]
	L1	L2	L3	L4	H1	H2	B1	B2	B3	G	Net	Gross	
UPSD 32-80	180	110	70	85	53	120	166	152	162	2	10.8	11.3	0.015

UPSD 32-80 F, UPSD 40-80 F

1 x 230 V, 50 Hz



TM04 3794 0000



TM04 6006 4609 - TM03 0870 0705

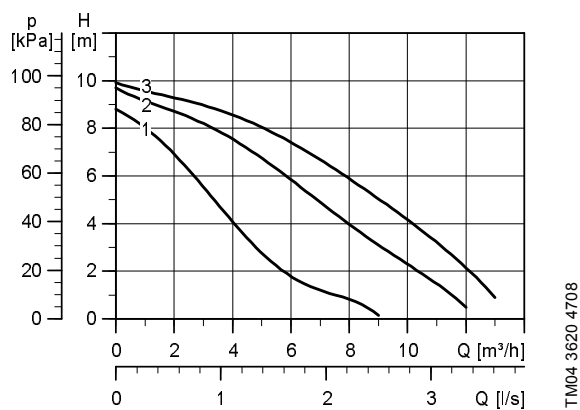
Connections: See *Pipe connections* on page 50.  
 System pressure: Max. 10 bar  
 Liquid temperature: -25 °C to +110 °C (TF 110)

Speed	P <sub>1</sub> [W]	I <sub>1/1</sub> [A]
3	105	0.46
2	100	0.44
1	75	0.32

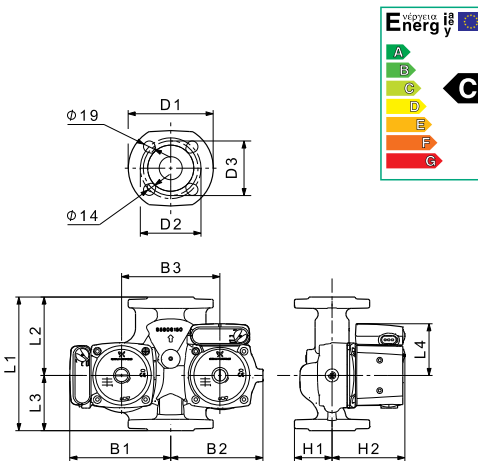
Pump type	Dimensions [mm]													Weights [kg]		Ship. vol. [m <sup>3</sup> ]
	L1	D1	D2	D3	L2	L3	L4	H1	H2	B1	B2	B3	G	Net	Gross	
UPSD 32-80 F	220	140	100	90	129	91	85	62	120	166	152	162	-	13.6	14.3	0.018
UPSD 40-80 F	250	150	110	100	129	121	85	67	120	166	152	162	-	14.2	14.8	0.021

UPSD 32-100 F, UPS 40-100 F

1 x 230 V, 50 Hz



TM04 3620 4708



TM04 6006 4609 - TM03 0870 0705

Connections: See *Pipe connections* on page 50.  
 System pressure: Max. 10 bar  
 Liquid temperature: -25 °C to +110 °C (TF 110)

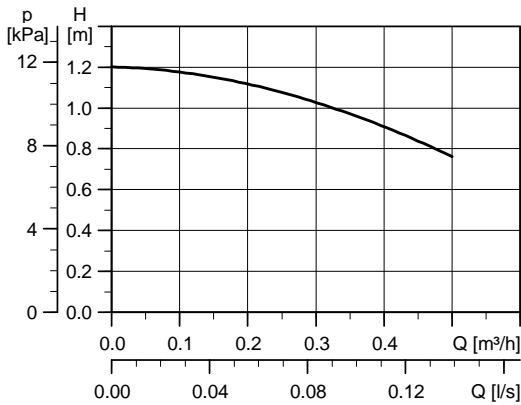
Speed	P <sub>1</sub> [W]	I <sub>1/1</sub> [A]
3	345	1.52
2	340	1.50
1	280	1.30

The pump has a built-in thermal switch and requires no additional motor protection.

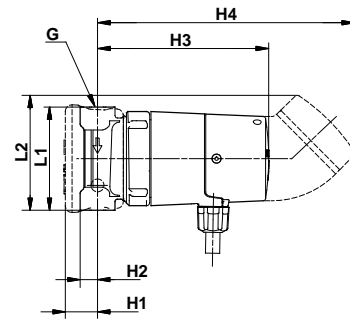
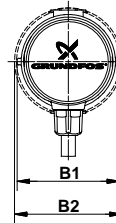
Pump type	Dimensions [mm]													Weights [kg]		Ship. vol. [m <sup>3</sup> ]
	L1	D1	D2	D3	L2	L3	L4	H1	H2	B1	B2	B3	G	Net	Gross	
UPSD 32-100 F	220	140	100	90	125	90	90	62	145	175	162	170	-	17.5	18.4	0.03
UPSD 40-100 F	250	150	110	100	140	90	90	67	145	167	162	170	-	18.3	19.3	0.03

## COMFORT UP 15-14 B (U) (T)

1 x 230 V, 50 Hz



TM01 9070 4708



TM01 8554 1602

$P_1$ [W]	$I_{1/1}$ [A]
25	0.11

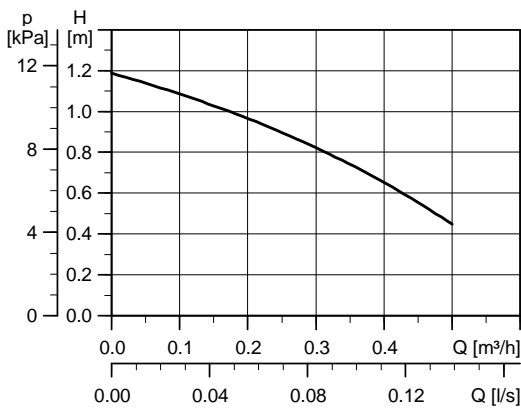
Connections:  
System pressure:  
Liquid temperature:

See *Fittings for COMFORT* on page 53.  
Max. 10 bar  
+2 °C to +95 °C (TF 95)

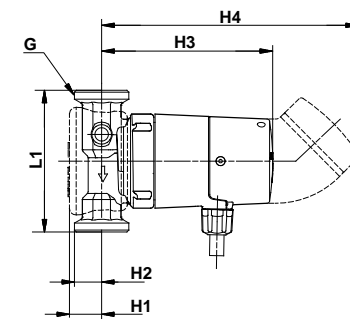
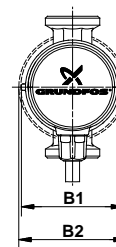
Pump type	Dimensions [mm]									Weights [kg]		Ship. vol. [m³]
	L1	L2	H1	H2	H3	H4	B1	B2	G	Net	Gross	
UP 15-14 B	80	-	25	13.5	133	-	79.5	84	Rp 1/2	1.00	1.12	0.0026
UP 15-14 BU	80	90	25	13.5	-	205	79.5	84	Rp 1/2	1.15	1.31	0.0034
UP 15-14 BT	80	-	25	13.5	155	-	79.5	84	Rp 1/2	1.05	1.24	0.0034
UP 15-14 BUT	80	90	25	13.5	-	205	79.5	84	Rp 1/2	1.16	1.32	0.0034

## COMFORT UP 20-14 BX (U) (T)

1 x 230 V, 50 Hz



TM01 9098 4708



TM01 8555 1602

$P_1$ [W]	$I_{1/1}$ [A]
25	0.11

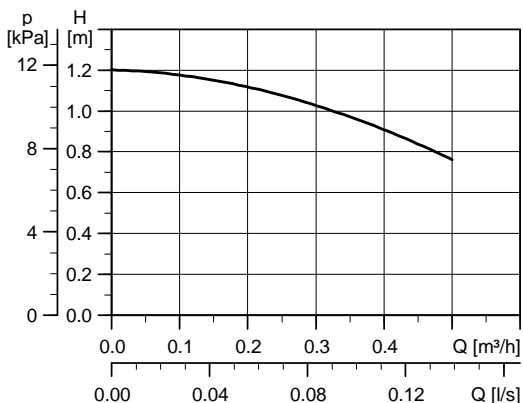
Connections:  
System pressure:  
Liquid temperature:

See *Fittings for COMFORT* on page 53.  
Max. 10 bar  
+2 °C to +95 °C (TF 95)

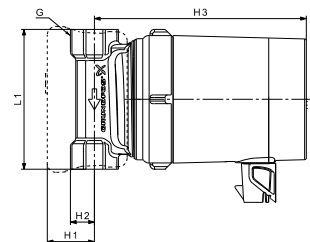
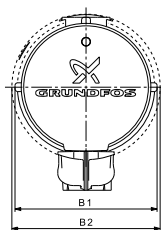
Pump type	Dimensions [mm]									Weights [kg]		Ship. vol. [m³]
	L1	H1	H2	H3	H4	B1	B2	G	Net	Gross		
UP 20-14 BX	110	25	21	133	-	79.5	84	G 1 1/4	1.20	1.35	0.0026	
UP 20-14 BXU	110	25	21	-	205	79.5	84	G 1 1/4	1.35	1.51	0.0034	
UP 20-14 BXT	110	25	21	155	-	79.5	84	G 1 1/4	1.25	1.44	0.0034	
UP 20-14 BXUT	110	25	21	-	205	79.5	84	G 1 1/4	1.36	1.52	0.0034	

**COMFORT UP 15-14 B (A) PM**

1 x 230 V, 50 Hz



TM01 9070 4708



TM05 1650 3411

<b>P<sub>1</sub> [W]</b>	<b>I<sub>1/1</sub> [A]</b>
8	0.07

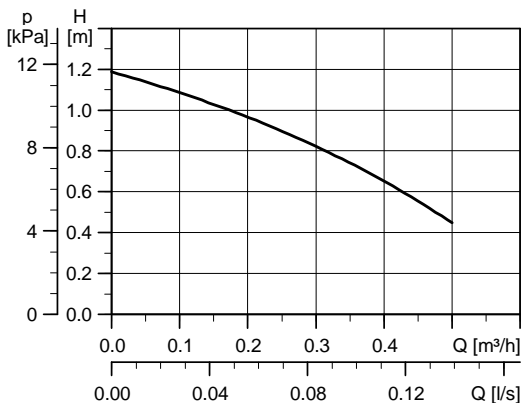
Connections:  
System pressure:  
Liquid temperature:

See *Fittings for COMFORT* on page 53.  
Max. 10 bar  
+2 °C to +95 °C (TF 95)

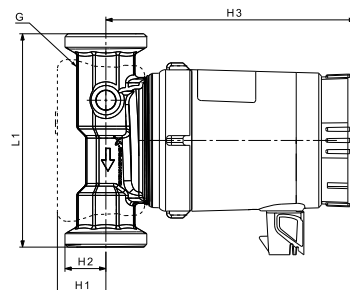
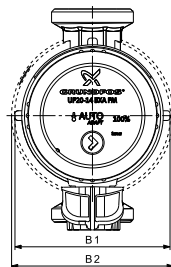
Pump type	Dimensions [mm]							Weights [kg]		Ship. vol. [m <sup>3</sup> ]
	L1	H1	H2	H3	B1	B2	G	Net	Gross	
UP 15-14 B PM	80	25	13.5	119	79.5	84	Rp 1/2	1.00	1.12	0.0026
UP 15-14 B (A) PM	80	25	13.5	119	79.5	84	Rp 1/2	1.00	1.12	0.0026

**COMFORT UP 20-14 BX (A) PM**

1 x 230 V, 50 Hz



TM01 9098 4708



TM05 1651 3411

<b>P<sub>1</sub> [W]</b>	<b>I<sub>1/1</sub> [A]</b>
8	0.07

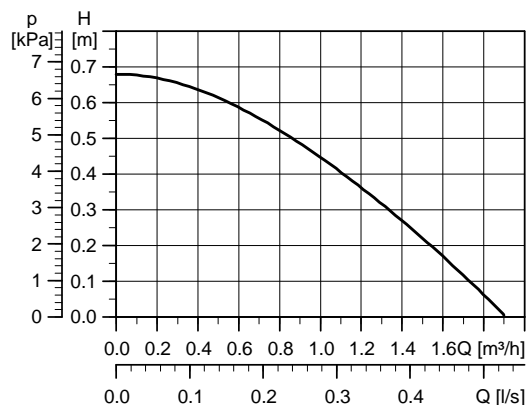
Connections:  
System pressure:  
Liquid temperature:

See *Fittings for COMFORT* on page 53.  
Max. 10 bar  
+2 °C to +95 °C (TF 95)

Pump type	Dimensions [mm]							Weights [kg]		Ship. vol. [m <sup>3</sup> ]
	L1	H1	H2	H3	B1	B2	G	Net	Gross	
UP 20-14 BX PM	110	25	21	129	79.5	84	G 1 1/4	1.35	1.51	0.0034
UP 20-14 BX (A) PM	110	25	21	129	79.5	84	G 1 1/4	1.35	1.51	0.0034

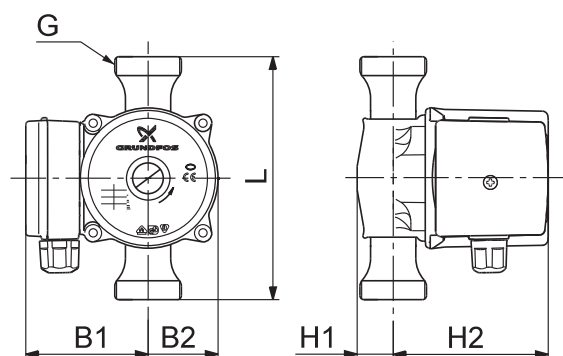
## UP 20-07 N

1 x 230 V, 50 Hz



TM00 9760 4708

Speed	P <sub>1</sub> [W]	I <sub>1/I</sub> [A]
1	50	0.24



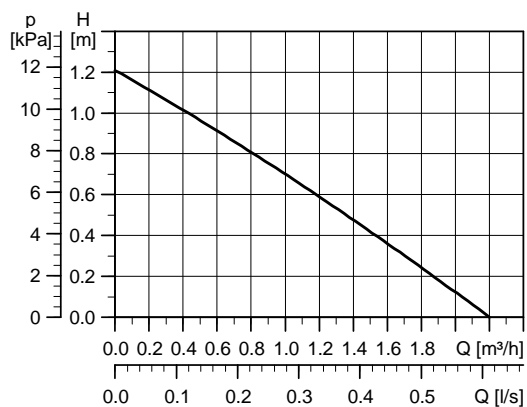
TM00 8932 2105

Connections: See *Pipe connections* on page 50.  
 System pressure: Max. 10 bar  
 Liquid temperature: +2 °C to +110 °C (TF 110)

Pump type	Dimensions [mm]						Weights [kg]		Ship. vol. [m³]
	L	H1	H2	B1	B2	G	Net	Gross	
UP 20-07 N	150	25	100	75	43	1 1/4	2.1	2.3	0.004

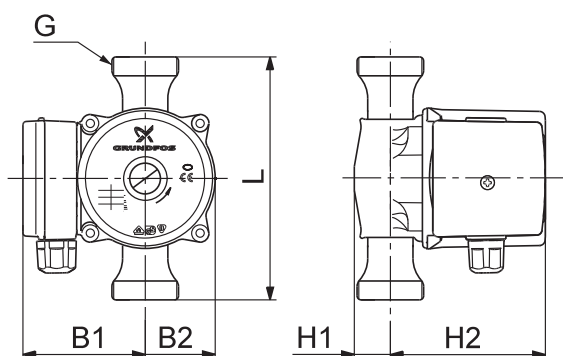
## UP 20-15 N

1 x 230 V, 50 Hz



TM00 9765 4705

Speed	P <sub>1</sub> [W]	I <sub>1/I</sub> [A]
1	65	0.28



TM00 8932 2105

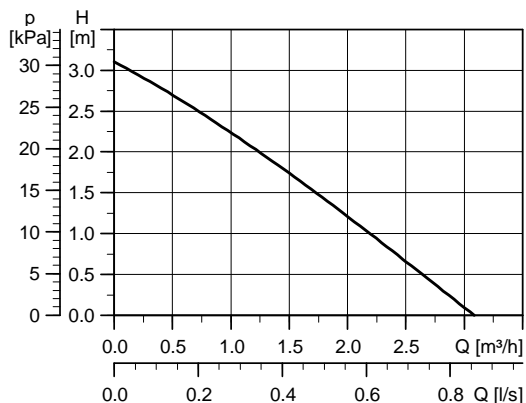
Connections: See *Pipe connections* on page 50.  
 System pressure: Max. 10 bar  
 Liquid temperature: +2 °C to +110 °C (TF 110)

Pump type	Dimensions [mm]						Weights [kg]		Ship. vol. [m³]
	L	H1	H2	B1	B2	G	Net	Gross	
UP 20-15 N	150	28	100	75	43	1 1/4	2.1	2.3	0.004

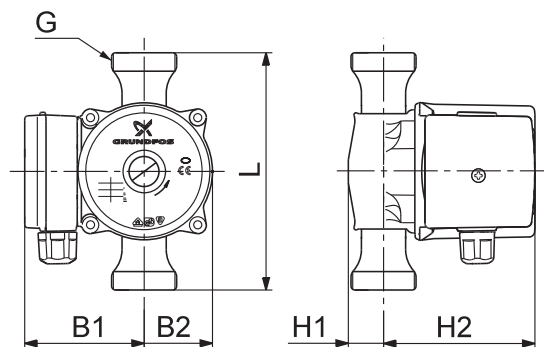


**UP 20-30 N (K)**

1 x 230 V, 50 Hz



TM00 9752 4708



TM00 8932 2105

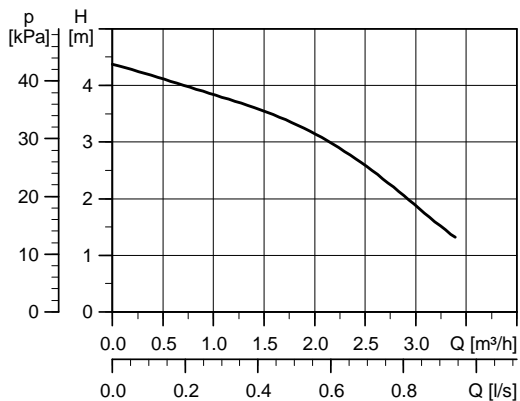
Speed	P <sub>1</sub> [W]	I <sub>1/I1</sub> [A]
1	75	0.31

Connections: See *Pipe connections* on page 50.  
 System pressure: Max. 10 bar  
 Liquid temperature: +2 °C to +110 °C (TF 110)

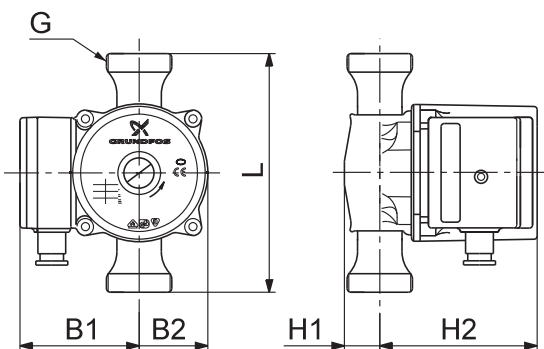
Pump type	Dimensions [mm]						Weights [kg]		Ship. vol. [m <sup>3</sup> ]
	L	H1	H2	B1	B2	G	Net	Gross	
UP 20-30 N (K)	150	28	100	75	43	1 1/4	2.1	2.3	0.004

**UP 20-45 N**

1 x 230 V, 50 Hz



TM04 3749 2409



TM00 9388 2105

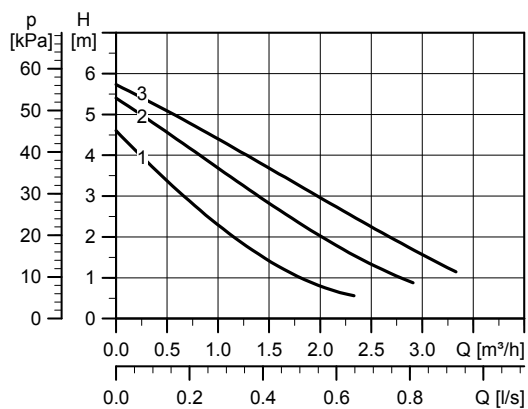
Speed	P <sub>1</sub> [W]	I <sub>1/I1</sub> [A]
1	110	0.5

Connections: See *Pipe connections* on page 50.  
 System pressure: Max. 10 bar  
 Liquid temperature: +2 °C to +110 °C (TF 110)

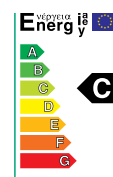
Pump type	Dimensions [mm]						Weights [kg]		Ship. vol. [m <sup>3</sup> ]
	L	H1	H2	B1	B2	G	Net	Gross	
UP 20-45 N	150	25	126	85	53.5	1 1/4	3.6	3.8	0.008

## UPS 20-60 N

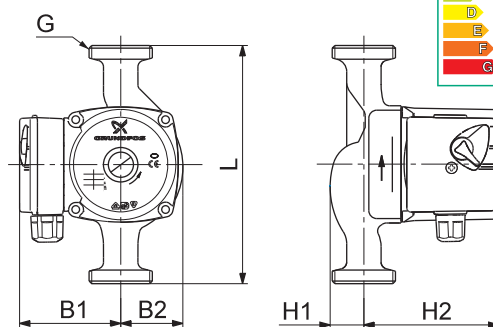
1 x 230 V, 50 Hz



TM05 1720 3611



TM00 9388 2105 - TM03 0870 0705



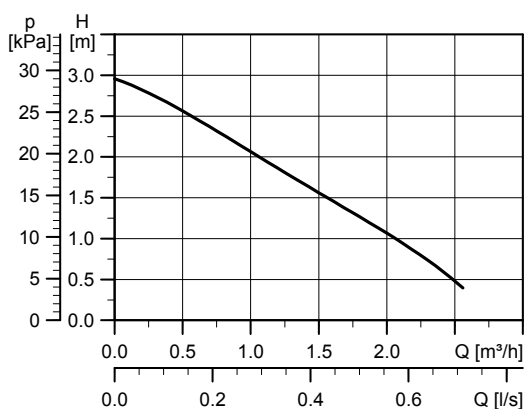
Speed	$P_1$ [W]	$I_{1/1}$ [A]
3	70	0.30
2	60	0.27
1	50	0.22

Connections: See *Pipe connections* on page 50.  
 System pressure: Max. 10 bar  
 Liquid temperature: +2 °C to +110 °C (TF 110)

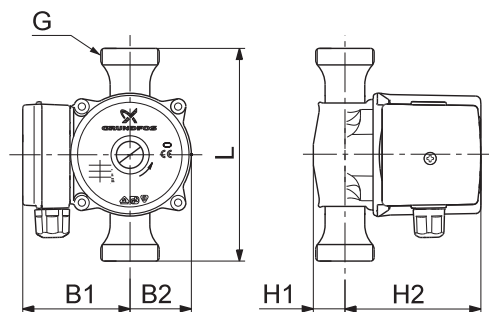
Pump type	Dimensions [mm]						Weights [kg]		Ship. vol. [m <sup>3</sup> ]
	L	H1	H2	B1	B2	G	Net	Gross	
UP 20-60 N	150	28	102	75	47	1 1/4	3.5	3.8	0.004

## UP 20-30 N

1 x 240 V, 50 Hz



TM05 1721 3611



TM00 8932 2105

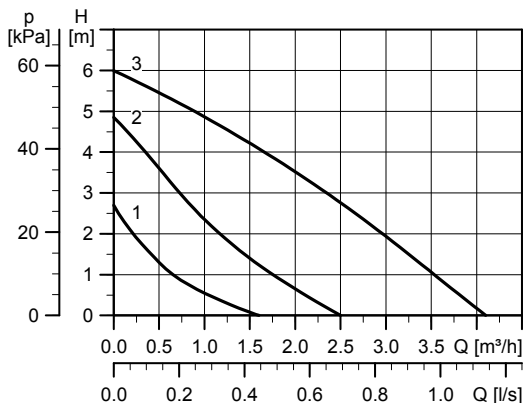
Speed	$P_1$ [W]	$I_{1/1}$ [A]
1	80	0.33

Connections: See *Pipe connections* on page 50.  
 System pressure: Max. 10 bar  
 Liquid temperature: +2 °C to +110 °C (TF 110)

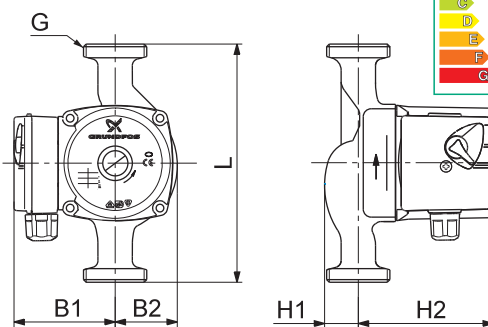
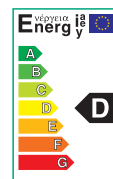
Pump type	Dimensions [mm]						Weights [kg]		Ship. vol. [m <sup>3</sup> ]
	L	H1	H2	B1	B2	G	Net	Gross	
UP 20-30 N	150	28	100	75	43	1 1/4	2.1	2.3	0.004

UPS 20-60 N

1 x 240 V, 50 Hz



TM05 1756 3611



TM00 9388 2105 - TM03 0871 0705

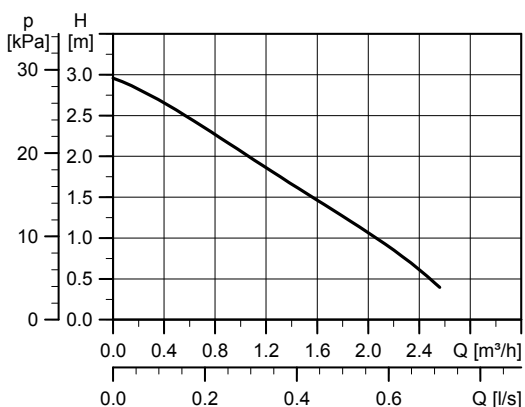
Speed	P <sub>1</sub> [W]	I <sub>1/I1</sub> [A]
3	90	0.37
2	60	0.25
1	35	0.15

Connections: See *Pipe connections* on page 50.  
 System pressure: Max. 10 bar  
 Liquid temperature: +2 °C to +110 °C (TF 110)

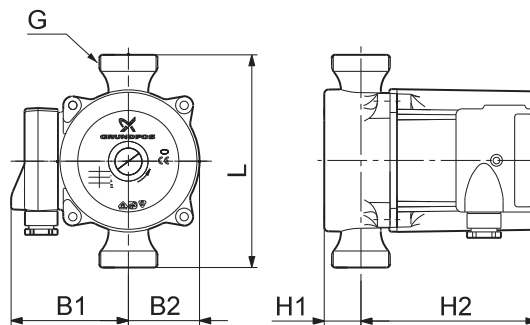
Pump type	Dimensions [mm]						Weights [kg]		Ship. vol. [m³]
	L	H1	H2	B1	B2	G	Net	Gross	
UP 20-60 N	150	28	102	75	51	1 1/4	2.4	2.7	0.004

UP 20-30 N

3 x 220 V, 50 Hz



TM05 1757 3611



TM00 8964 4296

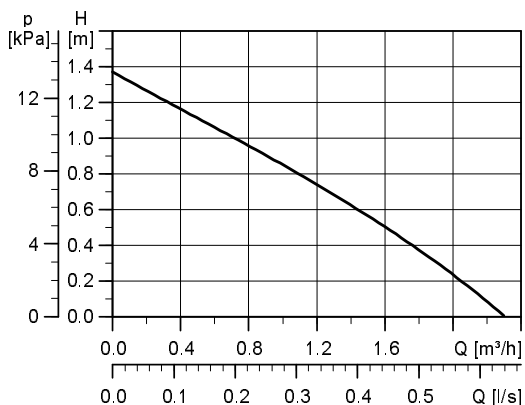
Speed	P <sub>1</sub> [W]	I <sub>1/I1</sub> [A]
1	115	0.38

Connections: See *Pipe connections* on page 50.  
 System pressure: Max. 10 bar  
 Liquid temperature: +2 °C to +110 °C (TF 110)

Pump type	Dimensions [mm]						Weights [kg]		Ship. vol. [m³]
	L	H1	H2	B1	B2	G	Net	Gross	
UP 20-45 N	150	25	123	80	51	1 1/4	4.0	4.3	0.008

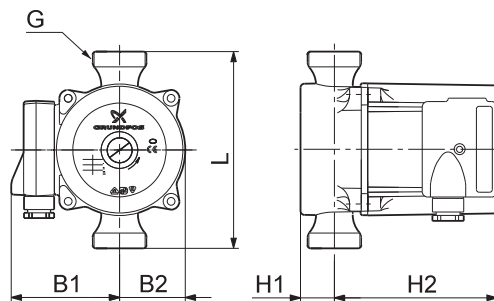
## UP 20-15 N

3 x 400 V, 50 Hz



TM04 5561 3409

Speed	P <sub>1</sub> [W]	I <sub>1/I1</sub> [A]
1	75	0.19



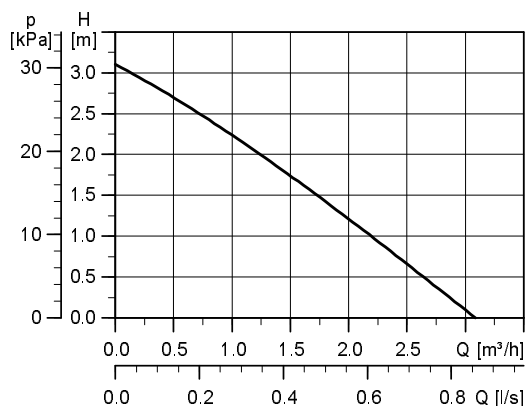
TM00 8964 4296

Connections: See *Pipe connections* on page 50.  
 System pressure: Max. 10 bar  
 Liquid temperature: +2 °C to +110 °C (TF 110)

Pump type	Dimensions [mm]						Weights [kg]		Ship. vol. [m³]
	L	H1	H2	B1	B2	G	Net	Gross	
UP 20-15 N	150	28	100	73	43	1 1/4	2.1	2.3	0.004

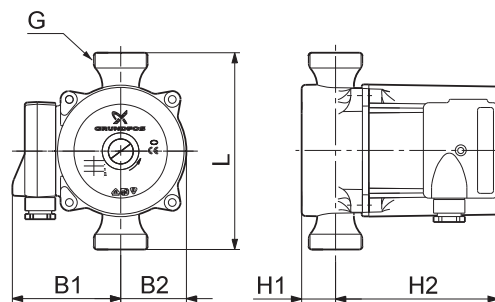
## UP 20-30 N

3 x 400 V, 50 Hz



TM04 5562 3409

Speed	P <sub>1</sub> [W]	I <sub>1/I1</sub> [A]
1	100	0.18



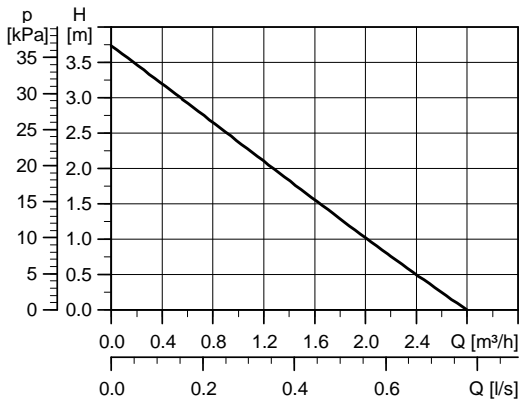
TM00 8964 4296

Connections: See *Pipe connections* on page 50.  
 System pressure: Max. 10 bar  
 Liquid temperature: +2 °C to +110 °C (TF 110)

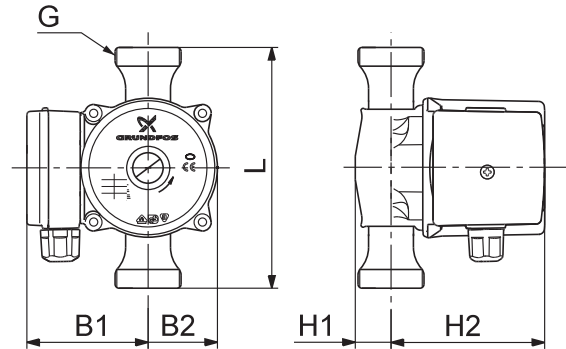
Pump type	Dimensions [mm]						Weights [kg]		Ship. vol. [m³]
	L	H1	H2	B1	B2	G	Net	Gross	
UP 20-30 N	150	28	100	73	43	1 1/4	2.1	2.3	0.004

UP 20-32 N

1 x 220 V, 60 Hz



TM01 0154 4708



TM00 8932 2105

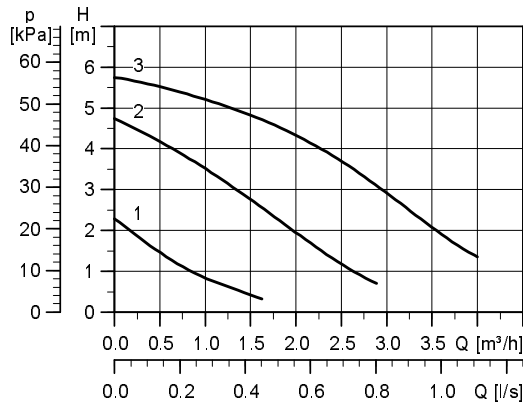
Speed	P <sub>1</sub> [W]	I <sub>1/1</sub> [A]
1	95	0.43

Connections: See *Pipe connections* on page 50.  
 System pressure: Max. 10 bar  
 Liquid temperature: +2 °C to +110 °C (TF 110)

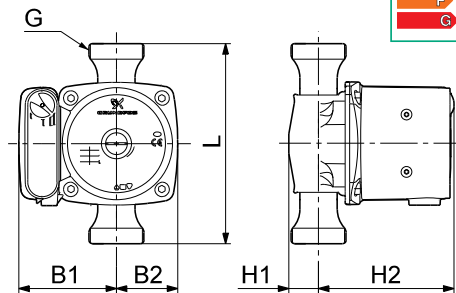
Pump type	Dimensions [mm]						Weights [kg]		Ship. vol. [m <sup>3</sup> ]
	L	H1	H2	B1	B2	G	Net	Gross	
UP 20-32 N	150	28	100	75	43	1 1/4	2.1	2.3	0.004

UPS 20-62 N

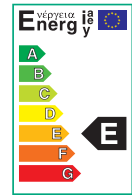
1 x 220 V, 60 Hz



TM04 5563 4009



TM04 2811 3408 - TM03 0872 0705



Speed	P <sub>1</sub> [W]	I <sub>1/1</sub> [A]
3	150	0.68
2	135	0.64
1	90	0.44

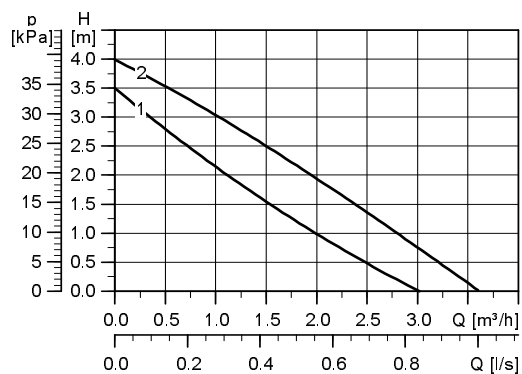
Connections: See *Pipe connections* on page 50.  
 System pressure: Max. 10 bar  
 Liquid temperature: +2 °C to +110 °C (TF 110)

The pump has a built-in thermal switch and requires no additional motor protection.

Pump type	Dimensions [mm]						Weights [kg]		Ship. vol. [m <sup>3</sup> ]
	L	H1	H2	B1	B2	G	Net	Gross	
UPS 20-62 N	150	25	126	85	53.5	1 1/4	3.0	3.8	0.008

## SOLAR 25-40

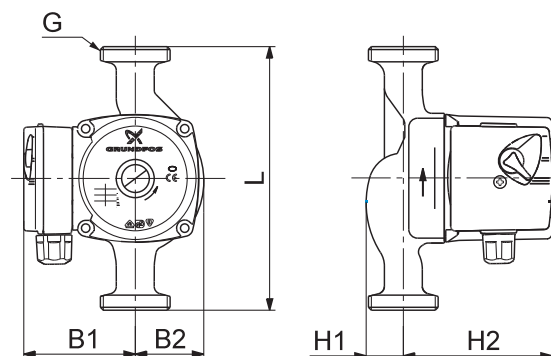
1 x 230 V, 50 Hz



TM04 5015 2409

Speed	P <sub>1</sub> [W]	I <sub>1/1</sub> [A]
2	55	0.16
1	35	0.25

The pump has a built-in thermal switch and requires no additional motor protection.



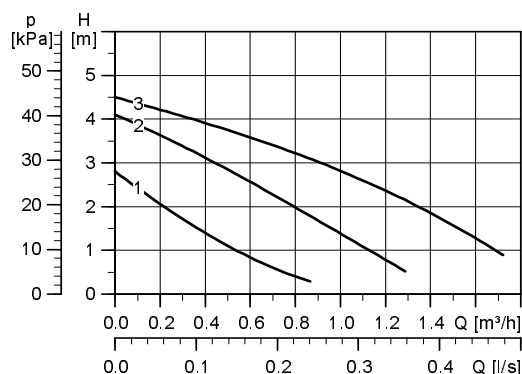
TM00 9386 2105

Connections: See *Pipe connections* on page 50.  
 System pressure: Max. 10 bar  
 Liquid temperature: -25 °C to +110 °C (TF 110)

Pump type	Dimensions [mm]						Weights [kg]		Ship. vol. [m <sup>3</sup> ]
	L	H1	H2	B1	B2	G	Net	Gross	
SOLAR 25-40	180	32	102	75	51	1 1/2	2.6	2.8	0.004

## SOLAR 15-45, SOLAR 25-45

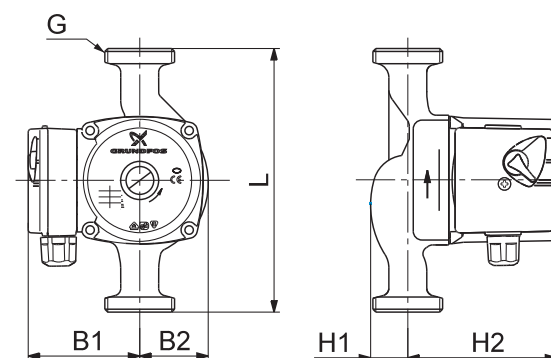
1 x 230 V, 50 Hz



TM04 5016 2409

Speed	P <sub>1</sub> [W]	I <sub>1/1</sub> [A]
3	50	0.21
2	35	0.16
1	20	0.10

The pump has a built-in thermal switch and requires no additional motor protection.



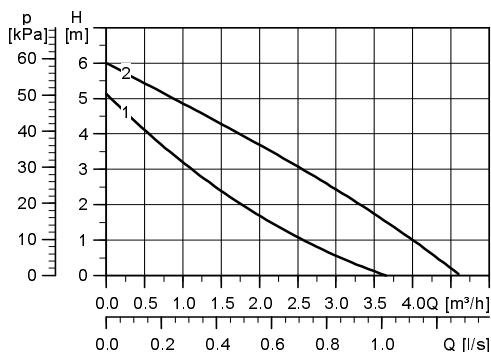
TM00 9386 2105

Connections: See *Pipe connections* on page 50.  
 System pressure: Max. 10 bar  
 Liquid temperature: +2 °C to +110 °C (TF 110)

Pump type	Dimensions [mm]						Weights [kg]		Ship. vol. [m <sup>3</sup> ]
	L	H1	H2	B1	B2	G	Net	Gross	
SOLAR 15-45	180	32	102	75	51	1 1/2	2.6	2.8	0.004
SOLAR 25-45	130	24	102	75	51	1 1/2	2.4	2.6	0.004
SOLAR 25-45	180	26	102	75	47	1 1/2	2.6	2.8	0.004

**SOLAR 15-60, SOLAR 25-60**

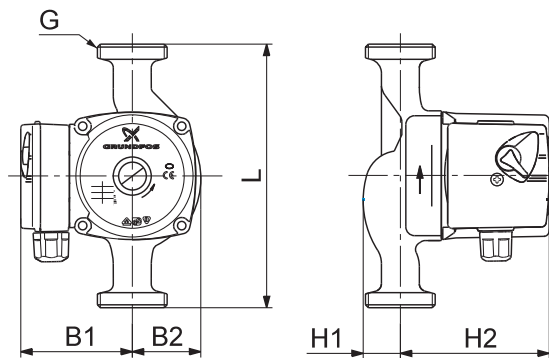
1 x 230 V, 50 Hz



TM04 5017 2409

Speed	P <sub>1</sub> [W]	I <sub>1/I</sub> [A]
2	80	0.28
1	65	0.34

The pump has a built-in thermal switch and requires no additional motor protection.



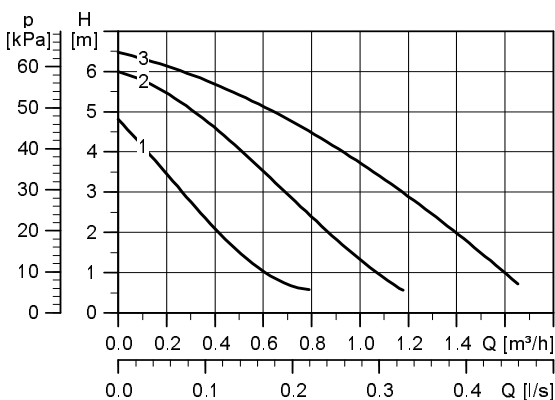
TM00 9386 2105

Connections: See *Pipe connections* on page 50.  
 System pressure: Max. 10 bar  
 Liquid temperature: +2 °C to +110 °C (TF 110)

Pump type	Dimensions [mm]						Weights [kg]		Ship. vol. [m <sup>3</sup> ]
	L	H1	H2	B1	B2	G	Net	Gross	
SOLAR 15-60	130	32	102	75	51	1	2.6	2.8	0.004
SOLAR 25-60	180	32	102	75	51	1 1/2	2.6	2.8	0.004

**SOLAR 15-65, SOLAR 25-65**

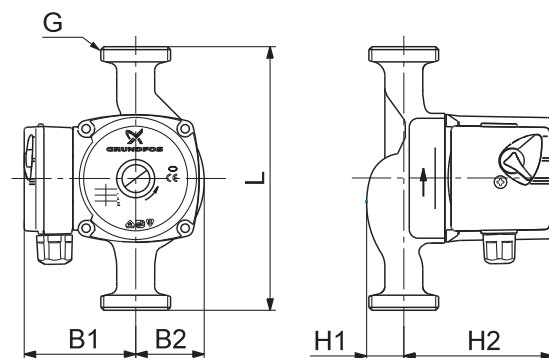
1 x 230 V, 50 Hz



TM04 5018 2409

Speed	P <sub>1</sub> [W]	I <sub>1/I</sub> [A]
3	80	0.36
2	65	0.30
1	50	0.24

The pump has a built-in thermal switch and requires no additional motor protection.



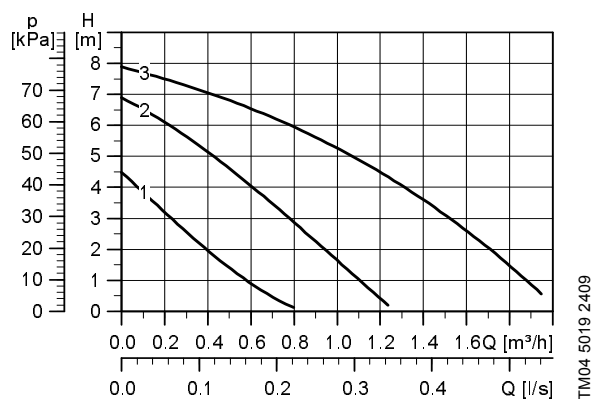
TM00 9386 2105

Connections: See *Pipe connections* on page 50.  
 System pressure: Max. 10 bar  
 Liquid temperature: +2 °C to +110 °C (TF 110)

Pump type	Dimensions [mm]						Weights [kg]		Ship. vol. [m <sup>3</sup> ]
	L	H1	H2	B1	B2	G	Net	Gross	
SOLAR 15-65	130	32	102	75	51	1	2.6	2.8	0.004
SOLAR 25-65	130	24	102	75	47	1 1/2	2.4	2.6	0.004
SOLAR 25-65	180	26	102	75	47	1 1/2	2.6	2.8	0.004

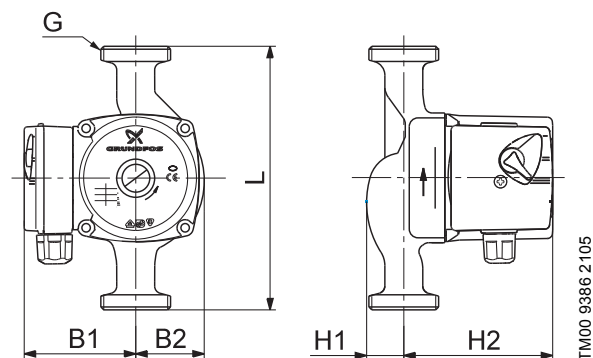
## SOLAR 15-80

1 x 230 V, 50 Hz



Speed	$P_1$ [W]	$I_{1/1}$ [A]
3	80	0.36
2	65	0.30
1	50	0.24

The pump has a built-in thermal switch and requires no additional motor protection.

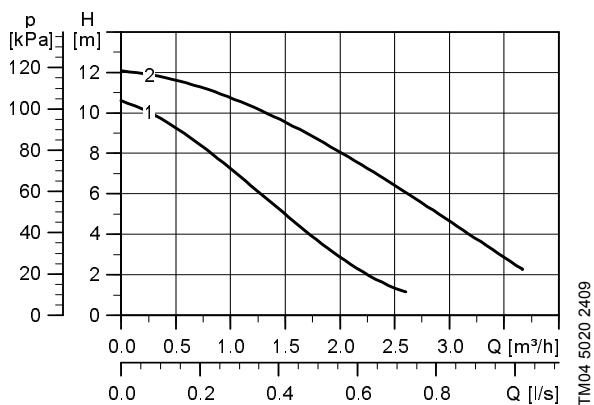


Connections: See *Pipe connections* on page 50.  
 System pressure: Max. 10 bar  
 Liquid temperature: +2 °C to +95 °C (TF 110)

Pump type	Dimensions [mm]						Weights [kg]		Ship. vol. [m <sup>3</sup> ]
	L	H1	H2	B1	B2	G	Net	Gross	
SOLAR 15-80	130	32	103	75	54	1	2.6	2.8	0.004

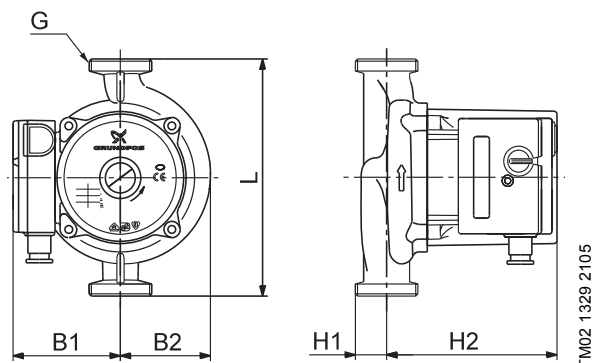
## SOLAR 25-120

1 x 230 V, 50 Hz



Speed	$P_1$ [W]	$I_{1/1}$ [A]
2	180	0.79
1	230	1.01

The pump has a built-in thermal switch and requires no additional motor protection.



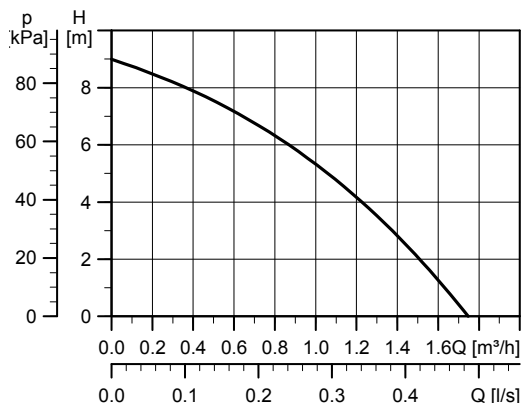
Connections: See *Pipe connections* on page 50.  
 System pressure: Max. 10 bar  
 Liquid temperature: +2 °C to +95 °C (TF 110)

Pump type	Dimensions [mm]						Weights [kg]		Ship. vol. [m <sup>3</sup> ]
	L	H1	H2	B1	B2	G	Net	Gross	
SOLAR 25-120	180	32	130	82	69	1 1/2	2.6	2.8	0.004

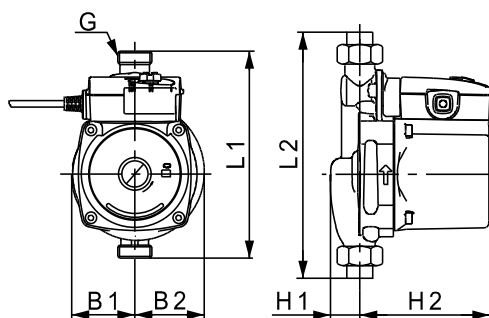


UPA 15-90

1 x 230 V, 50 Hz



TM05 1755 3611



TM05 1769 3711

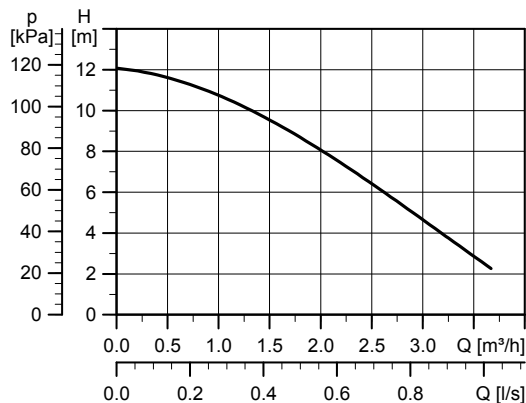
Speed	P <sub>1</sub> [W]	I <sub>1/I</sub> [A]
Max.	118	0.48

Connections: See *Pipe connections* on page 50.  
 System pressure: Max. 10 bar  
 Liquid temperature: +2 °C to +95 °C (TF 95)

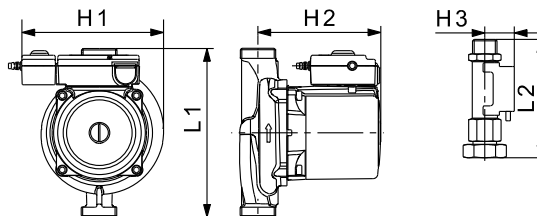
Pump type	Dimensions [mm]							Weights [kg]		Ship. vol. [m <sup>3</sup> ]
	L1	L2	H1	H2	B1	B2	G	Net	Gross	
UPA 15-90	160	214	23	103	50	54	3/4	2.5	2.7	0.003

UPA 25-120

1 x 230 V, 50 Hz



TM05 1754 3611



TM05 1768 3711

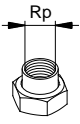
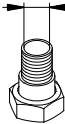
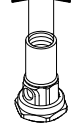
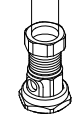
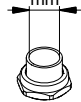
Speed	P <sub>1</sub> [W]	I <sub>1/I</sub> [A]
Max.	235	1.02

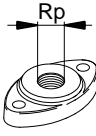
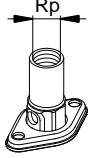
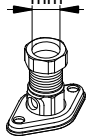
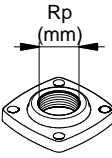
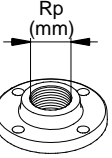
Connections: See *Pipe connections* on page 50.  
 System pressure: Max. 10 bar  
 Liquid temperature: +2 °C to +95 °C (TF 95)

Pump type	Dimensions [mm]					Weights [kg]		Ship. vol. [m <sup>3</sup> ]
	L1	L2	H1	H2	H3	Net	Gross	
UPA 25-120	180	126.5	151.2	131.1	31.5	2.5	2.7	0.003

## 9. Accessories

### Pipe connections

		Product numbers, unions														
Pump type	Connection															
		3/4	1	1 1/4	1	1 1/4	3/4	1	1 1/4	Ø22	Ø28	Ø15	Ø18	Ø22	Ø28	Ø42
20-xx	G 1 1/4	529932 <sup>1)</sup>														
20-xx N		529982 <sup>2)</sup>			529983 <sup>2)</sup>		519802 <sup>2)</sup>			519801 <sup>2)</sup>		529986 <sup>2)</sup> 529987 <sup>2)</sup> 529988 <sup>2)</sup> 529989 <sup>2)</sup>				
25-xx	G 1 1/2	529921 <sup>1)</sup> 529922 <sup>1)</sup> 529821 <sup>1)</sup>			529925 <sup>1)</sup> 529924 <sup>1)</sup>											
25-xx N		529971 <sup>2)</sup> 529972 <sup>2)</sup>					519805 <sup>2)</sup> 519806 <sup>2)</sup> 519807 <sup>2)</sup>			519808 <sup>2)</sup> 519809 <sup>2)</sup>		529977 <sup>2)</sup> 529978 <sup>2)</sup> 529979 <sup>2)</sup>				
32-xx	G 2	509921 <sup>1)</sup> 509922 <sup>1)</sup>														
32-xx N		509971 <sup>2)</sup>										529995 <sup>2)</sup>				

		Product numbers, flanges																					
Pump type	Connection																						
		3/4	1	1 1/4	1 1/2	3/4	1	1 1/4	Ø22	Ø28	3/4	1	1 1/4	1 1/2	2	Ø32	Ø40	Ø50	1 1/4	1 1/2	Ø32	Ø40	
21-xx F	Oval	529607 <sup>1)</sup>	529604 <sup>1)</sup>	529605 <sup>1)</sup>	529606 <sup>1)</sup>	519705 <sup>2)</sup>	519706 <sup>2)</sup>	519707 <sup>2)</sup>	519708 <sup>2)</sup>	519709 <sup>2)</sup>													
36-xx F	Square									509901 <sup>1)</sup>	509902 <sup>1)</sup>	509903 <sup>1)</sup>	509904 <sup>1)</sup>	509905 <sup>1)</sup>	509908 <sup>1)</sup>	509909 <sup>1)</sup>	509910 <sup>1)</sup>						
32-xx F	PN 6																539903 <sup>1)</sup>						
	PN 10																539703 <sup>1)</sup>	96427029 <sup>2)</sup>	539704 <sup>1)</sup>	96427030 <sup>2)</sup>			
40-xx F	PN 6																539701 <sup>1)</sup>	539901 <sup>1)</sup>	539911 <sup>2)</sup>	539902 <sup>1)</sup>	539912 <sup>2)</sup>		
	PN 10																539701 <sup>1)</sup>	539711 <sup>2)</sup>	539702 <sup>1)</sup>	539712 <sup>2)</sup>			

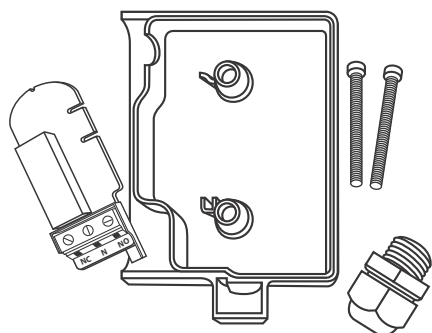
<sup>1)</sup> = cast iron

<sup>2)</sup> = brass/bronze

Blank = not available

## Alarm module

The alarm module offers the possibility of monitoring the pump for failures via external equipment. The module comes with both an NC (normally closed) and an NO (normally open) galvanically separated output. The alarm output is activated either when the mains supply fails or when the thermistor has cut out the motor.

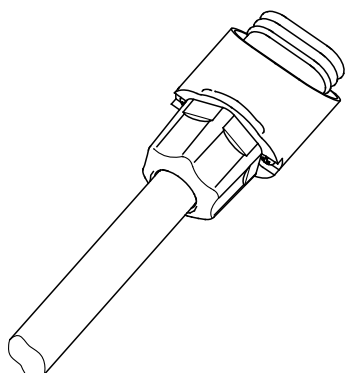


TM04 3958 0509

Fig. 12 Alarm module

Type	Product number
Alarm module	95906254

## Service kit for ALPHA plug



TM01 9911 3400

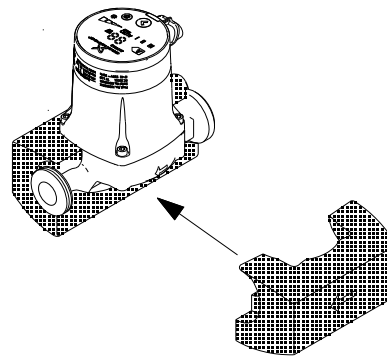
Fig. 13 Plug

Type	Product number
Plug, COMFORT UP 15-14 B (A) PM	
Plug, COMFORT UP 20-14 BX (A) PM	
Plug, UPS xx-25	
Plug, UPS 40-50 F	
Plug, UPS xx-55	595562
Plug, UPS xx-80 (F)	
Plug, UPS xx-100 (F)	
Plug, UPSD	

## Insulation kits

Series 100 can be fitted with two insulating shells. The thickness of the insulating shells corresponds to the nominal diameter of the pump.

The insulation kit, which is tailored to the individual pump type, encloses the entire pump housing. The two shells are easily fitted around the pump.



TM03 9505 4107

Fig. 14 Insulating shells

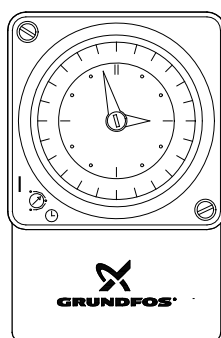
Insulation kit for pump type	Product number
UPS 25-20	505821
UPS 32-20	505821
UPS 25-25	95906655
UPS 25-30	505821
UPS 32-25	95906655
UPS 32-30	505821
UPS 25-40	505821
UPS 32-40	505821
UPS 25-55	95906655
UPS 25-60	505821
UPS 32-55	95906655
UPS 32-60	505821
UPS 25-80	95906655
UPS 25-100	95906653
UPS 32-80	95906655
UPS 32-100	95906653
UPS 25-20 A	505822
UPS 25-30 A	505822
UPS 25-40 A	505822
UPS 25-60 A	505822
UPS 40-50 F	525243
UPS 40-50 F	95906655
UPS 40-80 F	95906655

## Grundfos controllers

### TS 3: On/off time switch

The on/off time switch is designed for wall mounting. The time switch automatically switches the pump on/off at preset intervals. It is available with 24-hour or week dial.

Type	Time switch	Product number 1 x 220 V
TS 3/T	24-hour dial	96406992
TS 3/W	Week dial	96406993



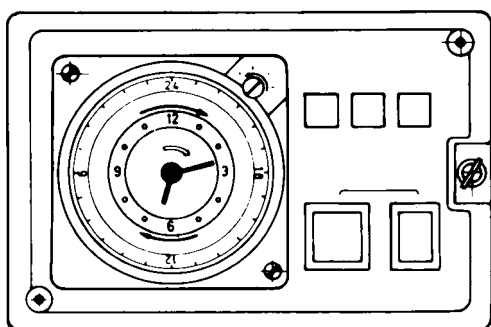
TM01 0205 2602

Fig. 15 TS 3

### GES 200: Timed changeover between pump heads

The GES 200 is designed to control all single-phase twin-head pumps. The GES 200 automatically changes over between the two pump heads at preset intervals. By selecting different speeds for the duty pump and the standby pump, a speed control facility can be obtained (for example left pump on speed 3, right pump on speed 2).

Type	Time switch	Product number 1 x 220 V
GES 200/WG	Week dial with battery back-up	60020310



TM00 9103 4396

Fig. 16 GES 200/WG

### ET 2: Temperature switch

The ET 2 temperature switch can be used in conjunction with the SAT 200 and GES 200. The ET 2 is a switch controlling according to the outdoor, room, flow-pipe or return-pipe temperature.

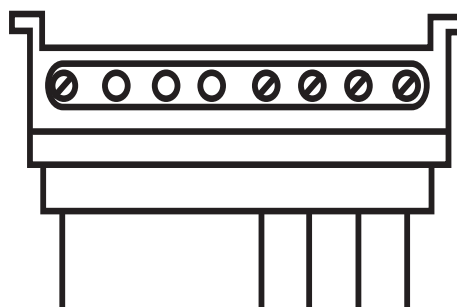
Control signal	Type	Temperature switch	Product number
Temperature (outdoor, room, flow pipe, return pipe)	ET 2	With housing and outdoor sensor	ID4383
		With sensor for external pipe mounting	ID4384
		With sensor for internal pipe mounting and bushing	ID4385

Differential-pressure controllers are also available.

### Terminal block

The terminal block is fitted to the terminal box and used for the connection of external controllers (for example for external changeover between two speeds).

Type	Product number
Terminal block	605003



TM00 5144 5094



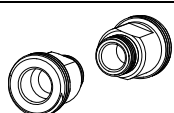
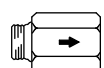
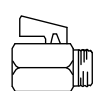
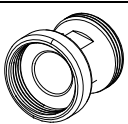
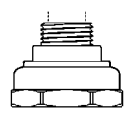
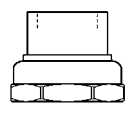
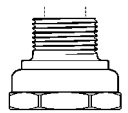
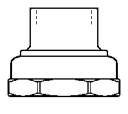
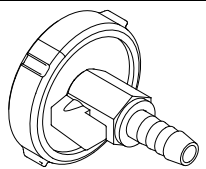
Fig. 17 Terminal block

## Timer and thermostat for COMFORT

According to the table below, the pump types B, BT, BX and BXT can be upgraded with a 24-hour timer. The timer for the pump types BT and BXT includes a thermostat for replacement.

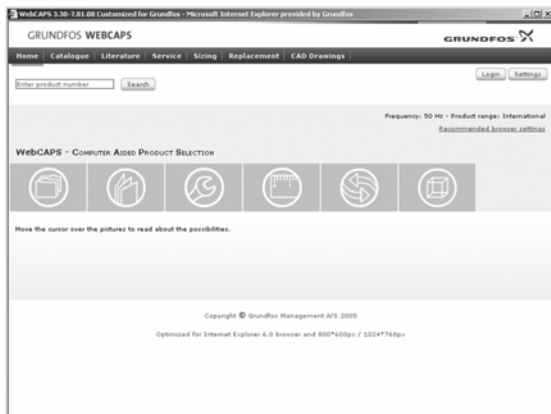
Pump type	Supplied with			Product number	
	24-hour timer	Thermostat	Isolating valve and non-return valve	24-hour timer	24-hour timer + thermostat
UP 15-14 B				96433891	
UP 15-14 BU	•				
UP 15-14 BT		•			96433892
UP 15-14 BUT	•	•			
UP 20-14 BX			•	96433891	
UP 20-14 BXU	•		•		
UP 20-14 BXT		•	•		96433892
UP 20-14 BXUT	•	•	•		

## Fittings for COMFORT

Pump type	Fitting	Description	Connection	Material	Product number
UP 15-XX		TM01 8539 0300 Extension set Length = 35 mm each	Rp 1/2 / G 1 1/4	Brass	96433911
		TM01 8540 0300 Extension set Length = 25 mm each	Rp 1/2 / G 1 1/2	Brass	96433912
		TM01 8541 0300 Extension set Length = 30 mm each	Rp 1/2 / G 1	Brass	96433913
UP 20-XX		TM01 8647 0300 Non-return valve	1/2	Brass	96433904
		TM01 8648 0300 Isolating valve	1/2	Brass	96433905
		TM01 8542 0300 Extension set Length = 40 mm	G 1 1/4 / G 1 1/4	Brass	96436559
		TM01 8643 0300 Union set	G 1 1/4 x 15 mm int. / R 1/2 ext.	Brass	96433907
		TM01 8644 0300 Union set	G 1 1/4 x Rp 3/4 int.	Brass	96433908
UP 15-XX UP 20-XX		TM01 8645 0300 Union set	G 1 1/4 x Rp 1/2 int. / R 3/4 ext.	Brass	96433909
		TM01 8646 0300 Union set	G 1/4 x 22 mm int.	Brass	96433910
		TM01 8560 0300 Venting flange	Flange Union nut Hose	PP CuZn40Pb2 PE	96433906

# 10. Further product documentation

## WebCAPS

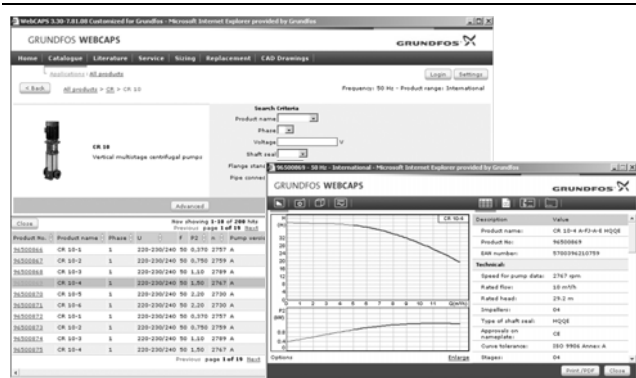


WebCAPS is a **Web-based Computer Aided Product Selection** program available on [www.grundfos.com](http://www.grundfos.com).

WebCAPS contains detailed information on more than 220,000 Grundfos products in more than 30 languages.

Information in WebCAPS is divided into six sections:

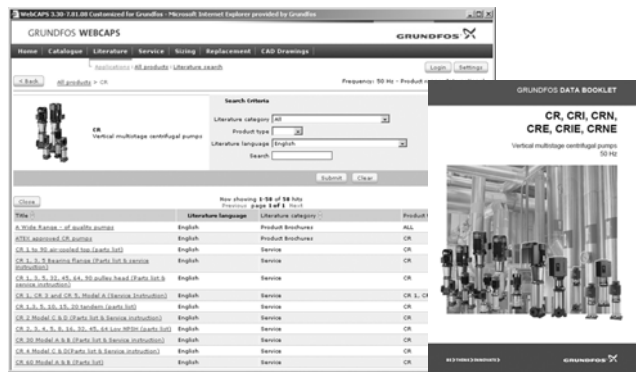
- Catalogue
- Literature
- Service
- Sizing
- Replacement
- CAD drawings.



### Catalogue

Based on fields of application and pump types, this section contains the following:

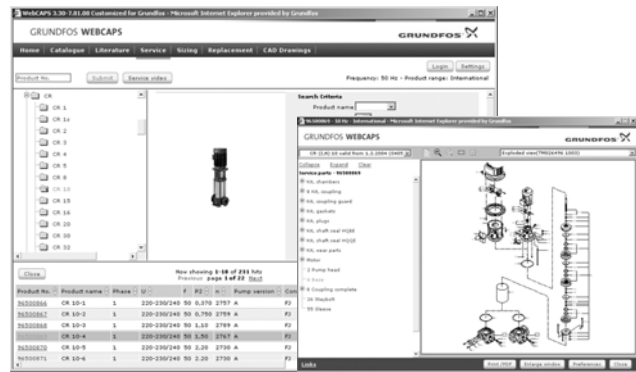
- technical data
- curves (QH, Eta, P1, P2, etc.) which can be adapted to the density and viscosity of the pumped liquid and show the number of pumps in operation
- product photos
- dimensional drawings
- wiring diagrams
- quotation texts, etc.



### Literature

This section contains all the latest documents of a given pump, such as

- data booklets
- installation and operating instructions
- service documentation, such as Service kit catalogue and Service kit instructions
- quick guides
- product brochures.



### Service

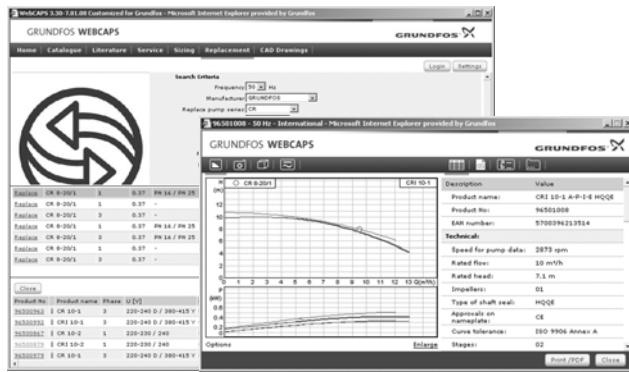
This section contains an easy-to-use interactive service catalogue. Here you can find and identify service parts of both existing and discontinued Grundfos pumps. Furthermore, the section contains service videos showing you how to replace service parts.



**Sizing**

This section is based on different fields of application and installation examples and gives easy step-by-step instructions in how to size a product:

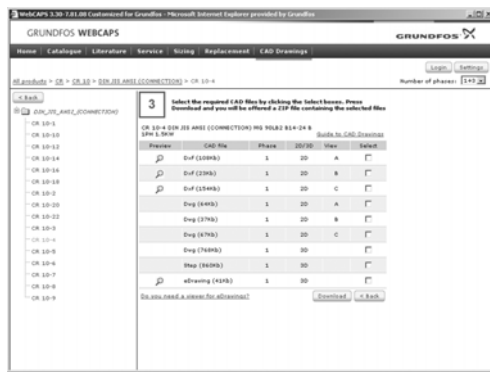
- Select the most suitable and efficient pump for your installation.
- Carry out advanced calculations based on energy, consumption, payback periods, load profiles, life cycle costs, etc.
- Analyse your selected pump via the built-in life cycle cost tool.
- Determine the flow velocity in wastewater applications, etc.



**Replacement**

In this section you find a guide to selecting and comparing replacement data of an installed pump in order to replace the pump with a more efficient Grundfos pump. The section contains replacement data of a wide range of pumps produced by other manufacturers than Grundfos.

Based on an easy step-by-step guide, you can compare Grundfos pumps with the one you have installed on your site. When you have specified the installed pump, the guide will suggest a number of Grundfos pumps which can improve both comfort and efficiency.



**CAD drawings**

In this section, it is possible to download 2-dimensional (2D) and 3-dimensional (3D) CAD drawings of most Grundfos pumps.

These formats are available in WebCAPS:

2-dimensional drawings:

- .dxf, wireframe drawings
- .dwg, wireframe drawings.

3-dimensional drawings:

- .dwg, wireframe drawings (without surfaces)
- .stp, solid drawings (with surfaces)
- .eprt, E-drawings.

**WinCAPS**



Fig. 18 WinCAPS CD-ROM

WinCAPS is a **Windows-based Computer Aided Product Selection** program containing detailed information on more than 220,000 Grundfos products in more than 30 languages.

The program contains the same features and functions as WebCAPS, but is an ideal solution if no internet connection is available.

WinCAPS is available on CD-ROM and updated once a year.

Subject to alterations.

<b>V7124413</b> 1011
Repl. V7124413 1110

**GB**

ECM: 1082029

The name Grundfos, the Grundfos logo, and the payoff Be-Think-Innovate are registered trademarks owned by Grundfos Management A/S or Grundfos A/S, Denmark. All rights reserved worldwide.